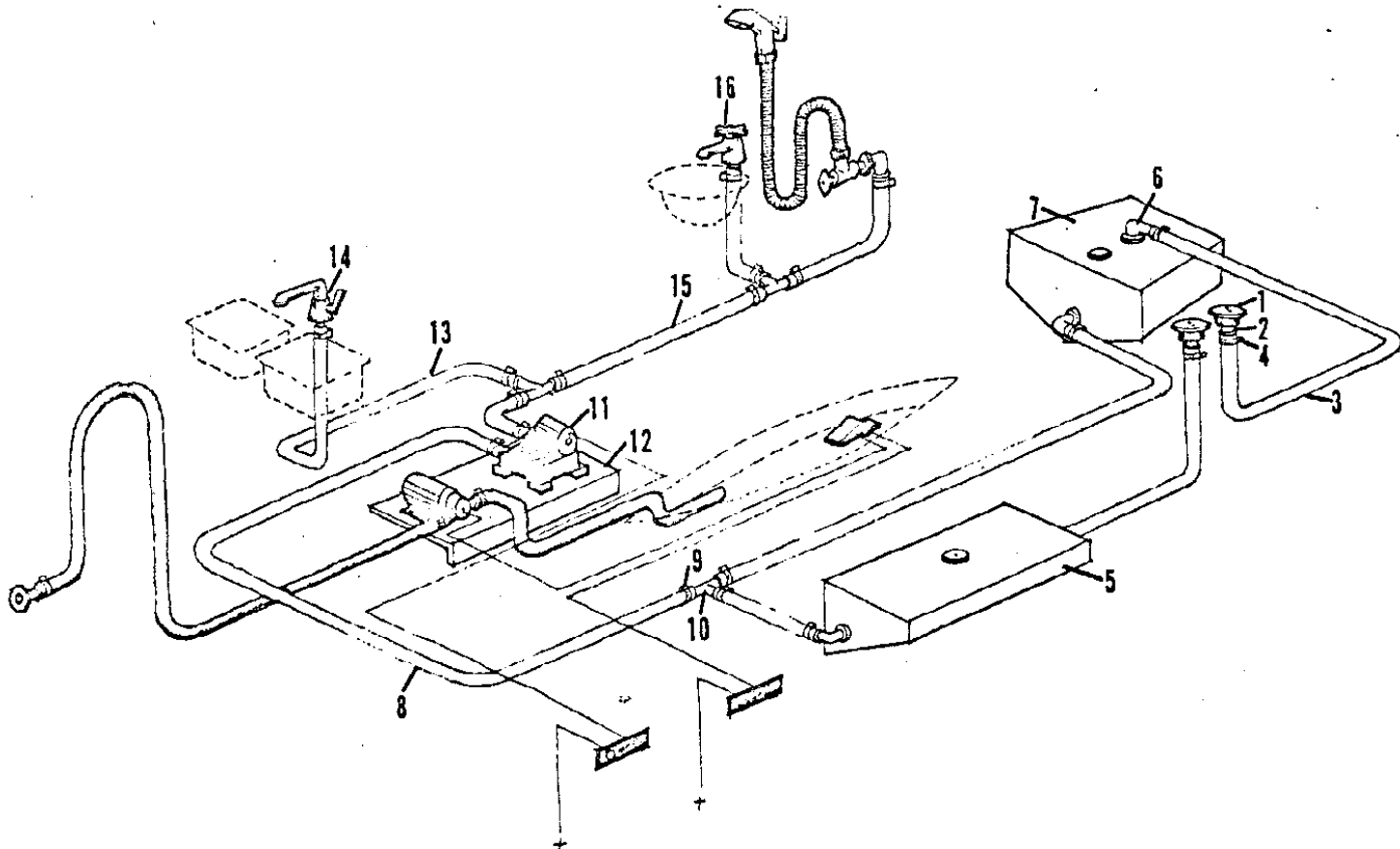
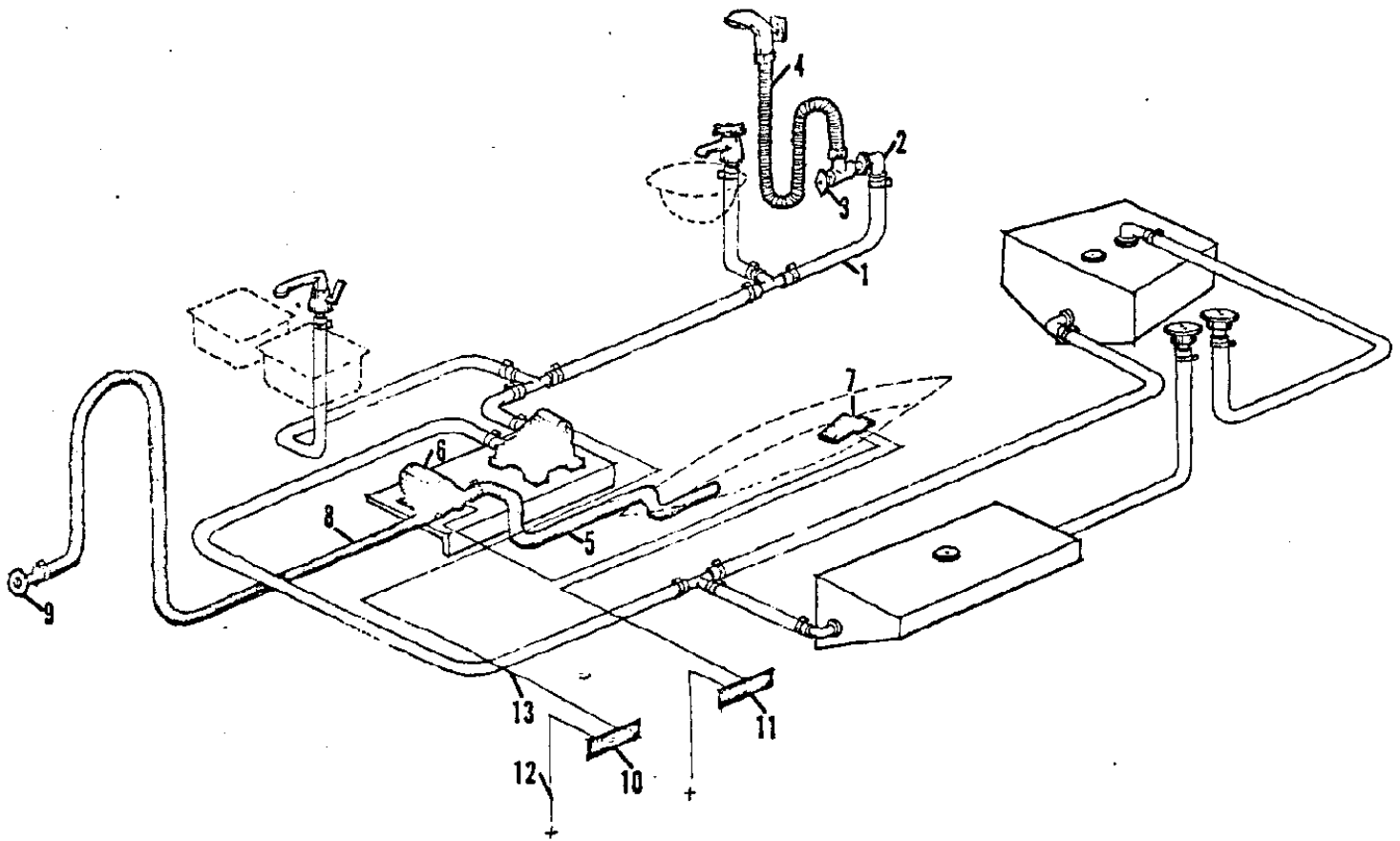


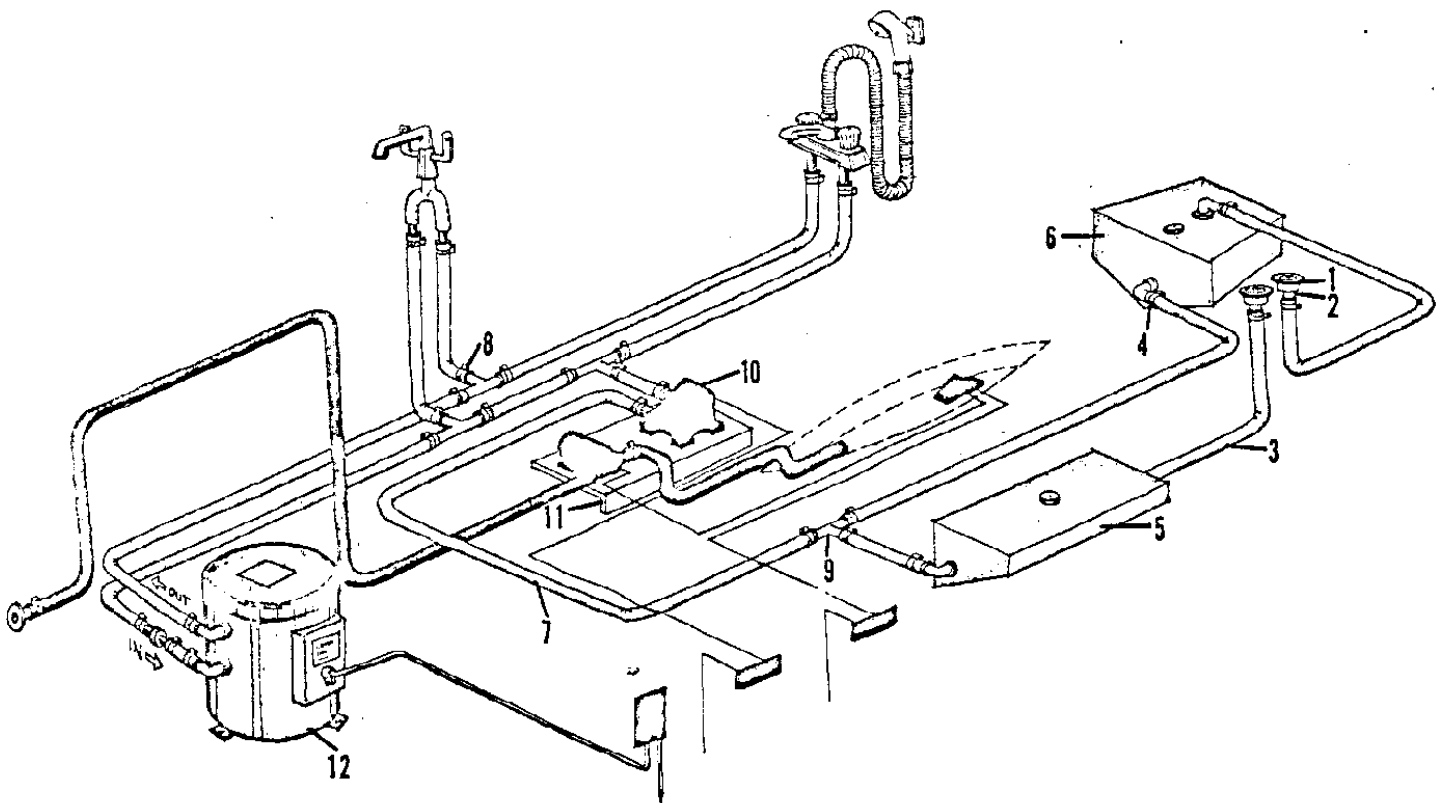
REF.	PART NUMBER	DESCRIPTION	STD./OPT.
1	K 63 01 01 497	WATER FILL PLATE	1
	K 63 01 01F	FASTENER KIT: (4) #10x3/4" SLOT. OHSMS, S.S.	1
2	K 63 01 03 330	1 1/2" MPT x 3/4" FPT HEX BUSHING	1
	K 63 01 05 330	3/4" MPT x 3/4" BARB ADAPTOR	1
3	K 63 01 07 335	WATER TANK FILL HOSE, 3/4"x10'-0", CLEAR VINYL TUBING	1
4	K 63 01 09 519	#8 HOSE CLAMP, S.S.	8
	K 63 01 13 330	3/4" BARB x 1/2" MPT ADAPTOR	1
5	K 63 01 15 695	17 U.S. GALLON CAPACITY WATER TANK W/CAP	1
6	K 63 01 23 335	WATER TANK TO FAUCET HOSES, 1/2" I.D.x32'-0"	1
7	K 63 01 16 330	1/2" BARBED T	1
8	K 63 01 21 519	#6 HOSE CLAMP, S.S.	6
9	K 63 01 47 723	HAND PUMP FAUCET, IN HEAD	1
10	K 63 01 25 723	FOOT PUMP, IN GALLEY	1
	K 63 01 25F	FASTENER KIT: (1) #10x1 1/4" SLOT. OHSMS, S.S. (1) #10 FINISH WASHER, S.S.	1
	K 63 01 27 100	FOOT PUMP BASE, FIBERGLASS	1
11	K 63 01 29 723	TELESCOPING FAUCET, IN GALLEY	1
12	K 63 01 31 335	SINK DRAIN HOSE FOR HEAD AND GALLEY, 3/4" I.D.x18'-0", CLEAR VINYL TUBING	1
	K 63 01 34 330	3/4" BARB x 3/4" BARB x 1/2" FPT T	2
	K 63 01 36 900	1/2"x2" HALF THREADED NIPPLE	1
	K 63 01 38 280	1/2" CLOSE NIPPLE	1
13	K 63 01 41 515	1/2" GATE VALVE	1
	K 63 01 43 900	1/2"x2" NIPPLE, BONDED THRU HULL	1
	K 63 01 32 335	ICE BOX DRAIN HOSE, 3/4" I.D.x10'-0", CLEAR VINYL TUBING	10
	K 63 01 11 295	CABLE TIE, WHITE NYLON	10
	K 63 01 11F	FASTENER KIT: (1) #6x1/2" PHIL. PHSMS, S.S.	10
	K 63 01 00 100	FRESH WATER SYSTEM, COMPLETE ASSEMBLY	1



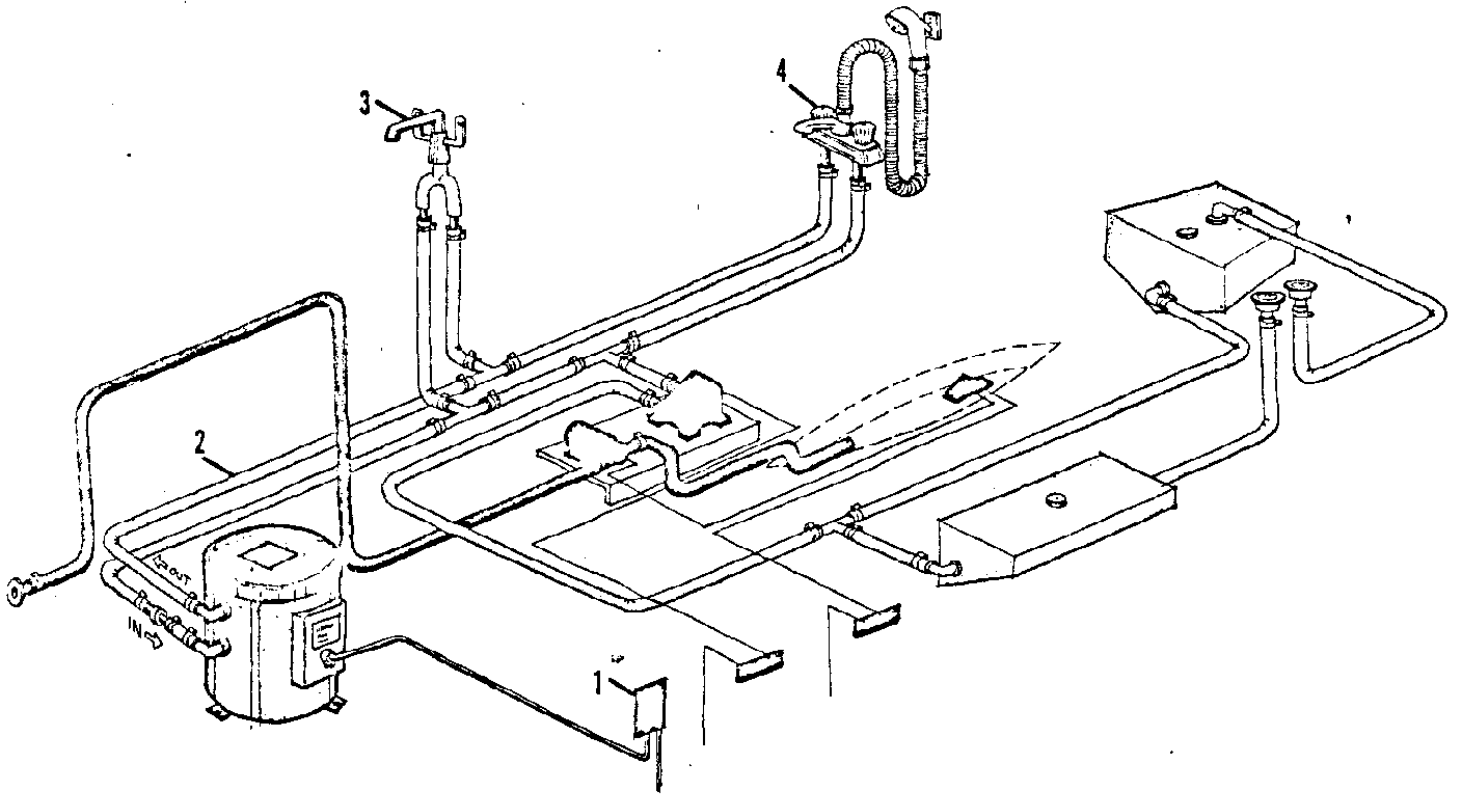
F.	PART NUMBER	DESCRIPTION	STD.	OPT
		PRESSURE WATER SYSTEM W/SHOWER, COMPLETE ASSEMBLY		1
1	K 61-04 00 100		1	1
	K 61 04 01 497	WATER FILL PLATE	1	1
	K 61 04 01F	FASTENER KIT: (4) #10x3/4" SLOT. OHSMS, S.S.	1	1
2	K 61 04 03 335	1 1/2" MPT x 3/4" HEX BUSHING	1	1
	K 61 04 05 330	3/4" MPT x 3/4" BARB ADAPTOR		1
3	K 61 04 07 335	WATER TANK FILL HOSES, 3/4" I.D. x 20'-0"		1
4	K 61 04 09 519	#8 HOSE CLAMP, S.S.		8
	K 61 04 11 330	3/4" BARB x 1/2" MPT ADAPTOR		1
5	K 61 04 13 695	17 U.S. GALLON WATER TANK W/CAP	1	
6	K 61 04 15 330	3/4" BARB x 1/2" MPT ELBOW		2
7	K 61 04 17 695	25 U.S. GALLON WATER TANK W/CAP		1
8	K 61 04 19 335	WATER TANK TO DEMAND PRESSURE PUMP HOSE, 1/2" I.D. x 25'-0"		
		REINFORCED CLEAR VINYL TUBING		1
9	K 61 04 21 519	#6 HOSE CLAMP, S.S.		16
10	K 61 04 23 330	1/2" BARB T		3
	K 61 04 25 295	CABLE TIE, WHITE PLASTIC		10
	K 61 04 25F	FASTENER KIT: (1) #6x1/2" PHIL. PHSMS, S.S.		10
11	K 61 04 27 350	DEMAND PRESSURE PUMP		1
	K 61 04 27F	FASTENER KIT: (4) #10 x 1" PHIL. PHSMS, S.S.		1
12	K 61 04 29 100	BASE FOR DEMAND PRESSURE PUMP AND SHOWER SUMP PUMP		1
13	K 61 04 30 335	DEMAND PRESSURE PUMP TO GALLEY FAUCET HOSE, 1/2" I.D. x 6'-0", REINFORCED CLEAR VINYL TUBING		1
	K 61 04 31 330	1/2" BARB x 1/2" MPT ADAPTOR		2
	K 61 04 32 296	1/2" FPT 90 ELBOW		2
	K 61 04 33 102	GALLEY FAUCET		1
15	K 61 04 35 335	DEMAND PRESSURE PUMP TO HEAD FAUCET HOSE, 1/2" I.D. x 10'-0", REINFORCED CLEAR VINYL TUBING		1
16	K 61 04 39 102	HEAD FAUCET		1



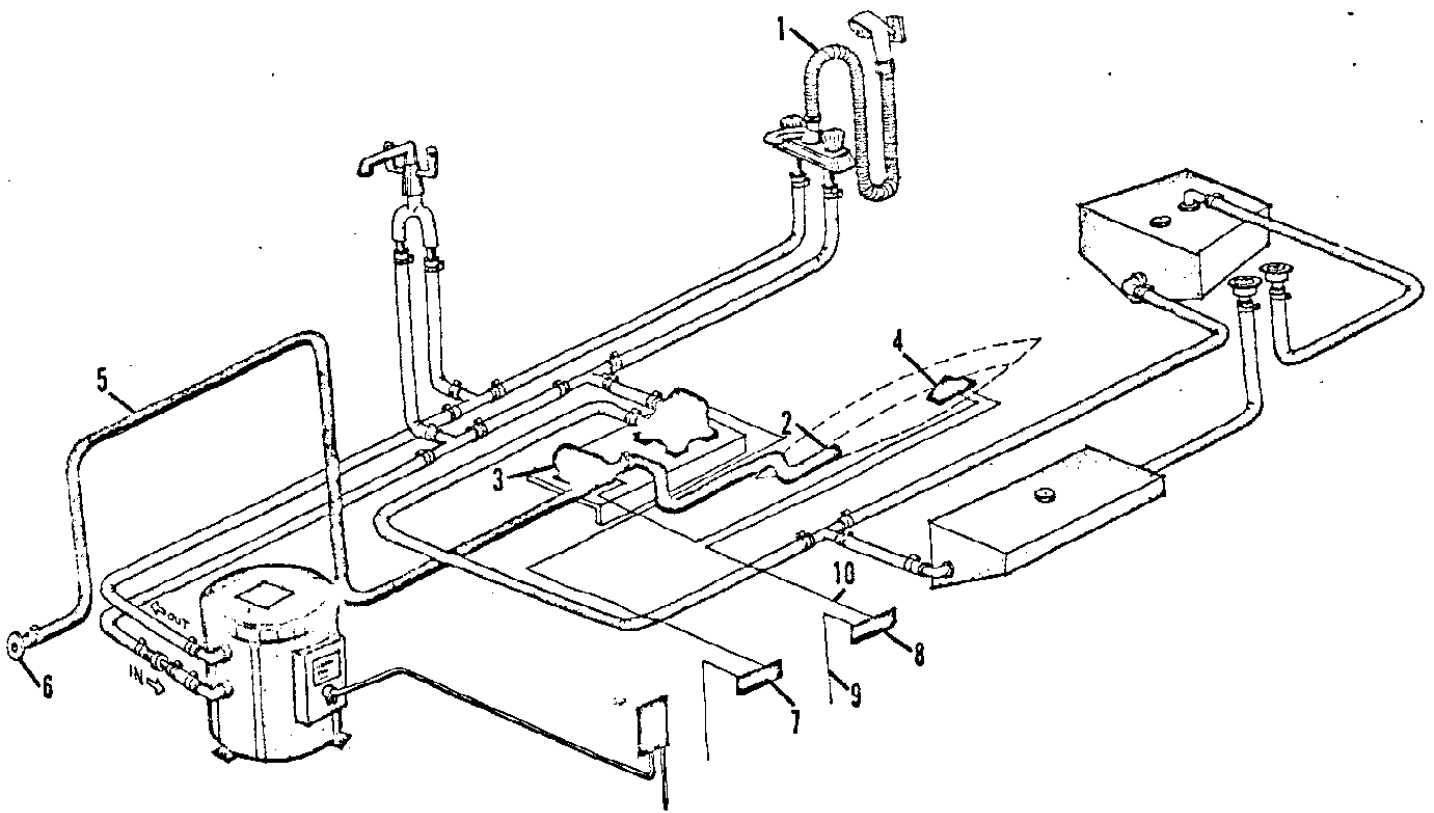
REF.	PART NUMBER	DESCRIPTION	STD./OPT
1	K 61 04 40 335	DEMAND PRESSURE PUMP TO SHOWER HOSE, 1/2" I.D. x 2'-0", REINFORCED CLEAR VINYL TUBING	1
2	K 61 04 41 330	1/2" BARB x 1/2" FPT ELBOW	1
	K 61 04 43 296	1/2" CLOSE NIPPLE	1
	K 61 04 45 296	1/2" FLANGE NUT	1
	K 61 04 47 740	3/4" I.D. FLAT WASHER	1
3	K 61 04 49 370	1/2" SHOWER VALVE	1
4	K 61 04 51 370	TELEPHONE SHOWER W/HOSE AND MOUNTING BRACKET	1
	K 61 04 51F	FASTENER KIT: (3) #6x1/2" PHIL. PHSMS, S.S.	1
	K 61 04 81 390	SHOWER CURTAIN W/TRACK	1
	K 61 04 85 145	TRACK CLIP, S.S.	1
	K 61 04 85F	FASTENER KIT: (8) #6x1/2" PHIL. PHSMS, S.S.	8
5	K 61 04 33 335	BILGE SUMP TO SHOWER SUMP PUMP HOSE, 3/4" I.D. x 6'-0", CLEAR VINYL TUBING	1
6	K 61 04 55 350	SHOWER SUMP PUMP	1
	K 61 04 55F	FASTENER KIT: (3) #8x3/4" PHIL. PHSMS, S.S. (3) #10 FLAT WASHER, S.S.	1
7	K 61 04 59 713	AUTOMATIC FLOAT SWITCH	1
	K 61 04 59F	FASTENER KIT: (2) #8x3/4" PHIL. PHSMS, S.S.	1
8	K 61 04 61 335	BILGE PUMP TO THRU HULL HOSE, 3/4" I.D. x 18'-0", CLEAR VINYL TUBING	1
9	K 61 04 67 900	THRU HULL W/COLLAR, FOR SHOWER, FOR SHOWER SUMP DRAIN	1
10	K 61 04 69 490	PRESSURE WATER SYSTEM SWITCH PANEL W.15 AMP FUSE	1
	K 61 04 69F	FASTENER KIT: (2) #8x3/4" PHIL. PHSMS, S.S.	1
11	K 61 04 71 490	SHOWER SUMP PUMP SWITCH PANEL W/15 AMP FUSE	1
	K 61 04 71F	FASTENER KIT: (2) #8x3/4" PHIL. PHSMS, S.S.	1
12	K 61 04 75 097	RED, #10 WIRE, 18'-0"	1
13	K 61 04 76 097	BLACK, #10 WIRE, 18'-0"	1



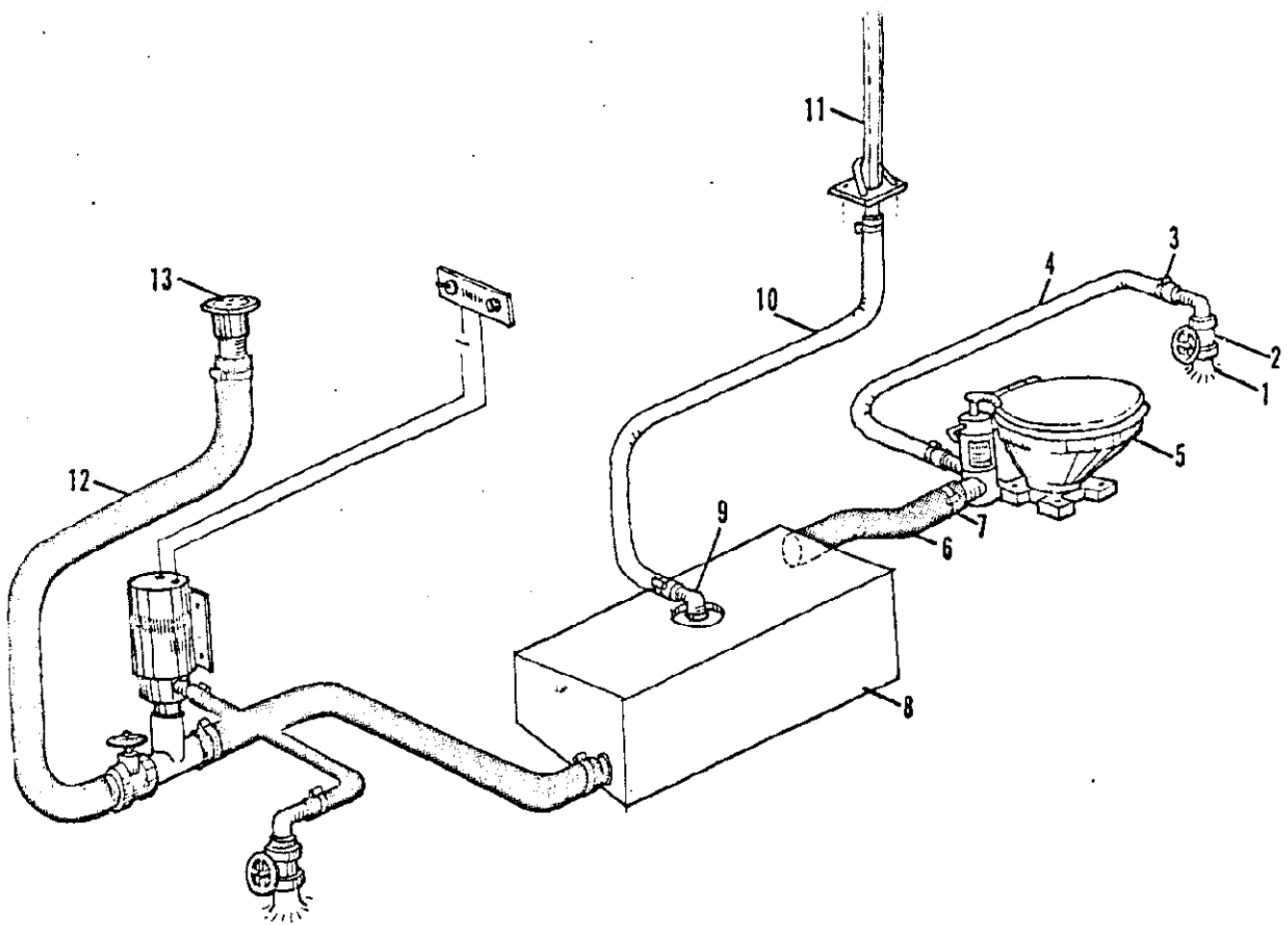
F	PART NUMBER	DESCRIPTION	STD.OPT.
	K 61 05 00 100	HOT AND COLD PRESSURE WATER SYSTEM W/SHOWER, COMPLETE ASSEMBLY	1
1	K 61 05 01 497	WATER FILL PLATE	2
	K 61 05 01F	FASTENER KIT: (4) #10x3/4" SLOT. OHSMS, S.S.	2
2	K 61 05 03 335	1 1/2" MPT x 3/4" HEX BUSHING	2
	K 61 05 05 330	3/4" MPT x 3/4" BARB ADAPTOR	1
3	K 61 05 07 335	WATER TANK FILL HOSES, 3/4" I.D. x 20'-0"	1
4	K 61 05 09 519	#8 HOSE CLAMP, S.S.	10
	K 61 05 11 330	3/4" BARB x 1/2" MPT ADAPTOR	3
5	K 61 05 13 695	17 U.S. GALLON WATER TANK W/CAP	1
	K 61 05 15 330	3/4" BARB x 1/2" MPT ADAPTOR	2
6	K 61 05 17 695	25 U.S. GALLON WATER TANK W/CAP	1
7	K 61 05 19 335	WATER TANK TO DEMAND PRESSURE PUMP HOSE, 1/2" I.D. x 25'-0", REINFORCED CLEAR VINYL TUBING	
8	K 61 05 21 519	#6 HOSE CLAMPS, S.S.	20
9	K 61 05 23 330	1/2" BARB T	5
	K 61 05 25 295	CABLE TIE, WHITE PLASTIC	12
	K 61 05 25F	FASTENER KIT: (1) #6x1/2" PHIL. PHSMS, S.S.	12
10	K 61 05 27 350	DEMAND PRESSURE PUMP	1
	K 61 05 27F	FASTENER KIT: (4) #10x1" PHIL. PHSMS, S.S.	1
11	K 61 05 29 100	BASE FOR DEMAND PRESSURE PUMP AND SHOWER SUMP PUMP	1
12	K 61 05 31 676	HOT WATER HEATER	1
	K 61 05 31F	FASTENER KIT: (3) #10x1 SLOT. OHSMS, S.S. (3) #10 FINISH WASHERS, S.S.	1
	K 61 05 32 100	HOT WATER HEATER BASE, PLYWOOD	1



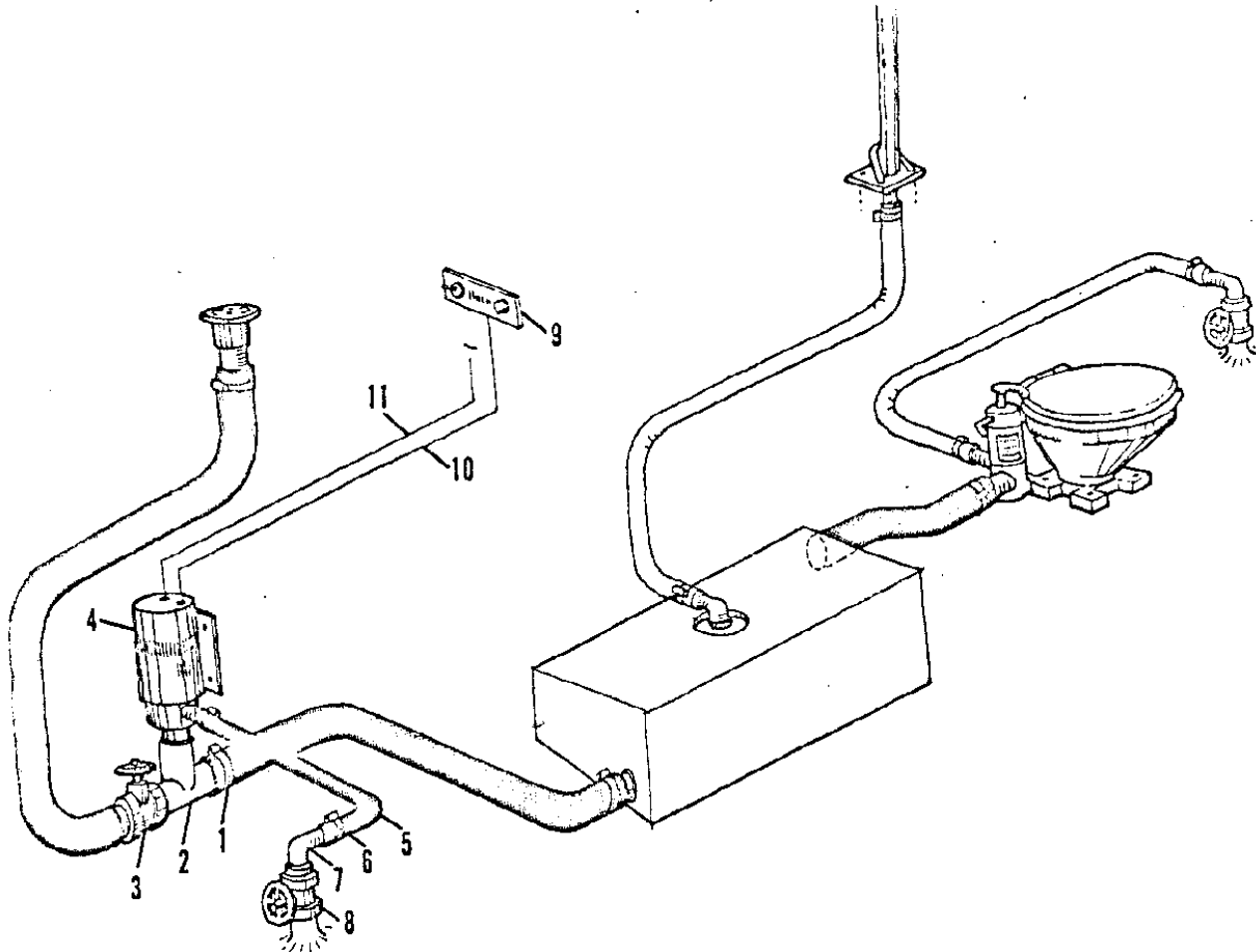
REF.	PART NUMBER	DESCRIPTION	STD.	OPT.
	K 61 05 33 097	25'x0", #10, 3 CONDUCTOR, NEOPREME COVERED WIRE		1
1	K 61 05 35 490	WATER HEATER BREAKER SWITCH W/20 AMP FUSE		1
	K 61 05 35F	FASTENER KIT: (2) #8x3/4" PHIL. PHSMS, S.S.		1
	K 61 05 37 296	3/4" FPT x 1/2" FPT REDUCER, BRASS		2
	K 61 05 39 330	1/2" MPT x 1/2" BARB CONNECTOR		6
	K 61 05 41 330	1/2" BARB x 1/2" BARB CHECK VALVE		1
2	K 61 05 43 335	WATER HEATER TO SINK AND SHOWER HOSES, 1/2" I.D. x 30'-0", REINFORCED CLEAR VINYL TUBING		1
	K 61 05 45 330	1/2" FPT x 1/2" FPT STRAIGHT CONNECTOR		4
3	K 61 05 47 102	GALLEY FAUCET		1
4	K 61 05 49 102	HEAD FAUCET		1
	K 61 05 51 335	SINK DRAIN TUBING, 3/4" I.D. x 10'-0"		1
	K 61 05 53 330	3/4" BARB x 3/4" BARB x 1/2" FPT T		2
	K 61 05 55 296	1/2" x 2" HALF THREADED NIPPLE		1
	K 61 05 57 296	1/2" CLOSE NIPPLE		2
	K 61 05 59 515	1/2" GATE VALVE		1
	K 61 05 61 296	1/2" x 2" NIPPLE, BONDED THRU HULL		1



REF.	PART NUMBER	DESCRIPTION	STD. OPT.
1	K 61 05 71 370	TELEPHONE SHOWER W/HOSE AND MOUNTING BRACKET	1
	K 61 05 71F	FASTENER KIT: (3) #6 x 1/2" PHIL. PHSMS, S.S.	1
	K 61 05 73 370	SHOWER CURTAIN W/TRACK	1
	K 61 05 75 145	TRACK CLIP, S.S.	8
	K 61 05 75F	FASTENER KIT: (8) #6 x 1/2" PHIL. PHSMS, S.S.	1
2	K 61 05 77 335	BILGE SUMP TO SHOWER SUMP PUMP HOSE, 3/4" I.D. x 6'-0" CLEAR	1
		VINYL TUBING	1
3	K 61 05 79 350	SHOWER SUMP PUMP	1
	K 61 05 79F	FASTENER KIT: (3) #10 x 3/4" PHIL. PHSMS, S.S.	1
		(3) #10 FLAT WASHER, S.S.	1
4	K 61 05 81 713	AUTOMATIC FLOAT SWITCH	1
	K 61 05 81F	FASTENER KIT: (2) #8 x 3/4" PHIL. PHSMS, S.S.	1
5	K 61 05 83 335	BILGE PUMP TO THRU HULL HOSE, 3/4" I.D. x 18'-0" CLEAR	1
		VINYL TUBING	1
6	K 61 05 85 900	THRU HULL W/COLLAR FOR SHOWER DRAIN	1
7	K 61 05 87 490	PRESSURE WATER SYSTEM SWITCH PANEL W/ 15 AMP FUSE	1
	K 61 05 87F	FASTENER KIT: (2) #8 x 3/4" PHIL. PHSMS, S.S.	1
8	K 61 05 89 490	SHOWER SUMP PUMP SWITCH PANEL W/15 AMP FUSE	1
	K 61 05 89F	FASTENER KIT: (2) #8 x 3/4" PHIL. PHSMS, S.S.	1
9	K 61 05 91 097	RED #10 WIRE, 18'-0"	1
10	K 61 05 93 097	BLACK #10 WIRE, 18'-0"	1

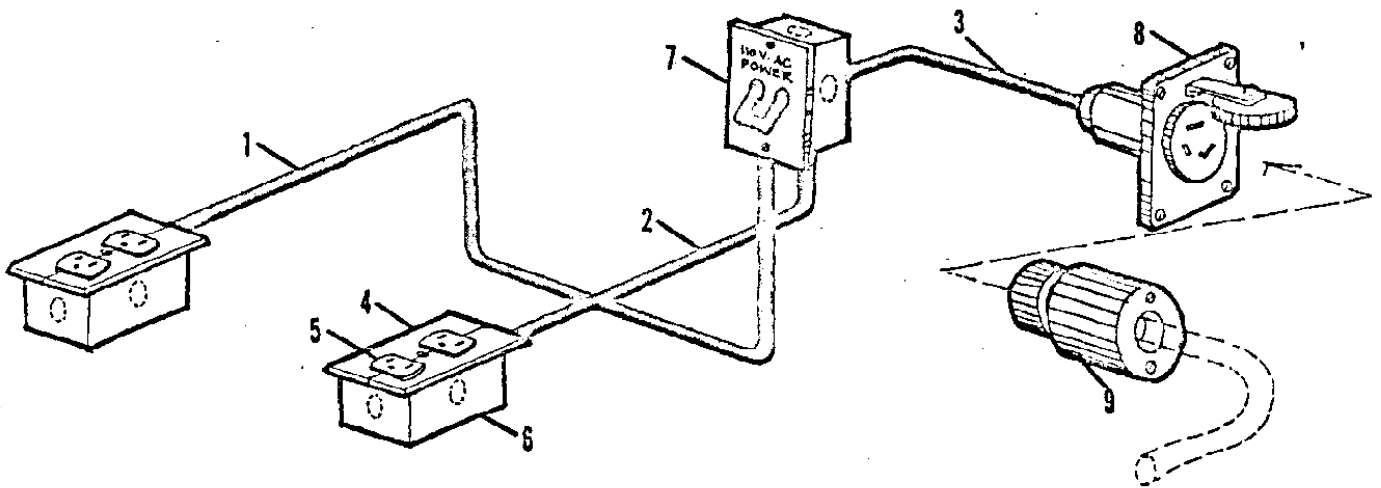


REF.	PART NUMBER	DESCRIPTION	STD./OPT
1	K 65 03 01 900	1/2"x2 1/2" NIPPLE, BONDED THRU HULL	1
2	K 65 03 05 515	1/2" GATE VALVE	1
	K 65 03 09 296	1/2" ST. ELBOW	1
	K 65 03 13 280	1/2"x2 1/2" HALF THREADED NIPPLE	1
3	K 65 03 17 519	#8 HOSE CLAMP, S.S.	4
4	K 65 03 21 035	3/4" I.D.x6'-0" VINYL TUBING, MARINE HEAD INTAKE	1
5	K 65 03 25 350	MARINE HEAD	1
	K 65 03 25F	FASTENER KIT: (4) 1/4"x1" LAG BOLT, S.S. (4) 1/4" FLAT WASHER, S.S.	1
6	K 65 03 29 335	1 1/2" I.D.x4'-0", HEAD TO HOLDING TANK HOSE	1
7	K 65 03 33 519	#32 HOSE CLAMP, S.S.	4
	K 65 03 37 280	1 1/2"x3" HALF THREADED NIPPLE	3
8	K 65 03 41 695	HOLDING TANK, 17 GALLON CAPACITY	1
9	K 65 03 45 296	3/4" FPT x 3/4" BARB ELBOW	1
10	K 65 03 49 335	3/4" I.D.x8'-0" REINFORCED CLEAR VINYL TUBING	1
11	K 65 03 53 610	THRU STANCHION VENT, S.S.	1
	K 65 03 53F	FASTENER KIT: (4) 1/4"-20x2" SLOT. RHMS, S.S. (4) 1/4" FLAT WASHER, S.S. (4) 1/4" LOCK WASHER, S.S. (4) 1/4"-20 HEX NUT, S.S.	1
12	K 65 03 61 335	1 7/8" I.D.x12'-0" WIRE REINFORCE PUMP OUT HOSE	1
13	K 65 03 65 910	DECK PUMP OUT PLATE	1
	K 65 03 65F	FASTENER KIT: (4) #10x3/4" SLOT. OHSMS, S.S.	1
	K 65 03 00 100	HOLDING TANK INSTALLATION, COMPLETE ASSEMBLY	1



F.	PART NUMBER	DESCRIPTION	STD./OPT.
1	K 65 04 01 519	#32 HOSE CLAMP, S.S.	2
	K 65 04 05 900	1 1/2" x 2 1/2" HALF THREADED NIPPLE	2
2	K 65 04 09 269	1 1/2" FPT T	1
	K 65 04 13 900	1 1/2" x 3" NIPPLE	1
3	K 65 04 17 515	1 1/2" GATE VALVE	1
4	K 65 04 21 350	MACERATOR PUMP	1
	K 65 04 21F	FASTENER KIT: (4) #10x1 1/2" SLOT. OHSMS, S.S. (4) #10 FINISH WASHER, S.S.	1
	K 65 04 25 330	3/4" x 3/4" BARBED GARDEN HOSE CONNECTOR	1
5	K 65 04 29 335	3/4" I.D. x 8'-0" WIRE REINFORCED HOSE	1
6	K 65 04 33 519	#8 HOSE CLAMP, S.S.	2
7	K 65 04 37 330	3/4" THREAD x 3/4" BARBED ELBOW	1
	K 65 04 41 280	3/4" x 2 1/2" NIPPLE	2
8	K 65 04 45 515	3/4" GATE VALVE	1
9	K 65 04 49 490	MACERATOR PUMP SWITCH PANEL W/25 AMP FUSE	1
	K 65 04 49F	FASTENER KIT: (4) #8x3/4" PHIL. PHSMS, S.S.	1
10	K 65 04 53 097	10'-0" RED #10 WIRE	1
11	K 65 04 57 097	10'-0" BLACK #10 WIRE	1
	K 65 04 00 100	HOLDING TANK W/MACERATOR PUMP INSTALLATION, COMPLETE ASSEMBLY	1

NOTE: MACERATOR PUMP OPTION MUST BE COMBINED WITH HOLDING TANK OPTION IN ORDER TO COMPLETE ENTIRE HOLDING TANK W/MACERATOR PUMP ASSEMBLY.



REF.	PART NUMBER	DESCRIPTION	STD./OPT.
1	K 70 01 01 097	19'-0", #10, 3 CONDUCTOR NEOPRENE COATED WIRE	1
2	K 70 01 02 097	18'-0", #10, 3 CONDUCTOR NEOPRENE COATED WIRE	1
3	K 70 01 03 097	10'-0", #10, 3 CONDUCTOR NEOPRENE COATED WIRE	1
4	K 70 01 04 490	110 VOLT RECEPTACLE COVER	2
	K 70 01 04F	FASTENER KIT: (1) #8 x 1" SLOT. FHMS, S.S.	2
5	K 70 01 05 004	110 VOLT DUPLEX OUTLET	2
6	K 70 01 07 490	110 VOLT DUPLEX OUTLET JUNCTION BOX	2
7	K 70 01 09 490	20 AMP CIRCUIT BREAKER	1
	K 70 01 09F	FASTENER KIT: (2) #8 x 1" SLOT. FHMS, S.S.	1
	K 70 01 11 490	BARRIER STRIP CONNECTOR, FOR GROUND	1
	K 70 01 13 490	BARRIER STRIP JUMPER	1
8	K 70 01 15 004	FEMALE DOCKSIDE CONNECTOR	1
	K 70 01 15F	FASTENER KIT: (4) #10 x 1 1/4" SLOT. OHSMS, S.S.	1
9	K 70 01 17 004	MALE DOCKSIDE CONNECTOR	1
	K 70 01 00 100	110 VOLT DOCKSIDE POWER ASSEMBLY, COMPLETE	1