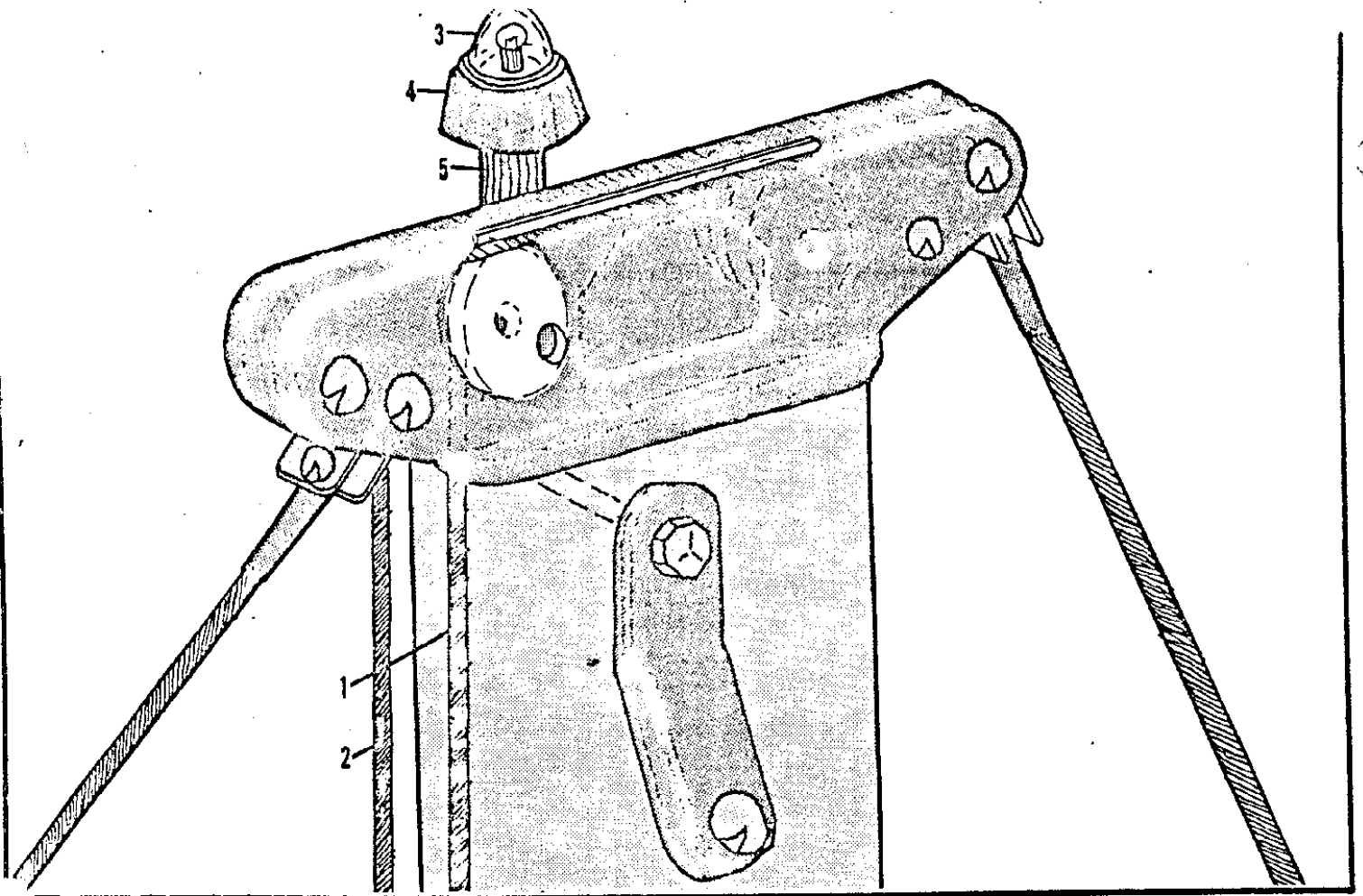
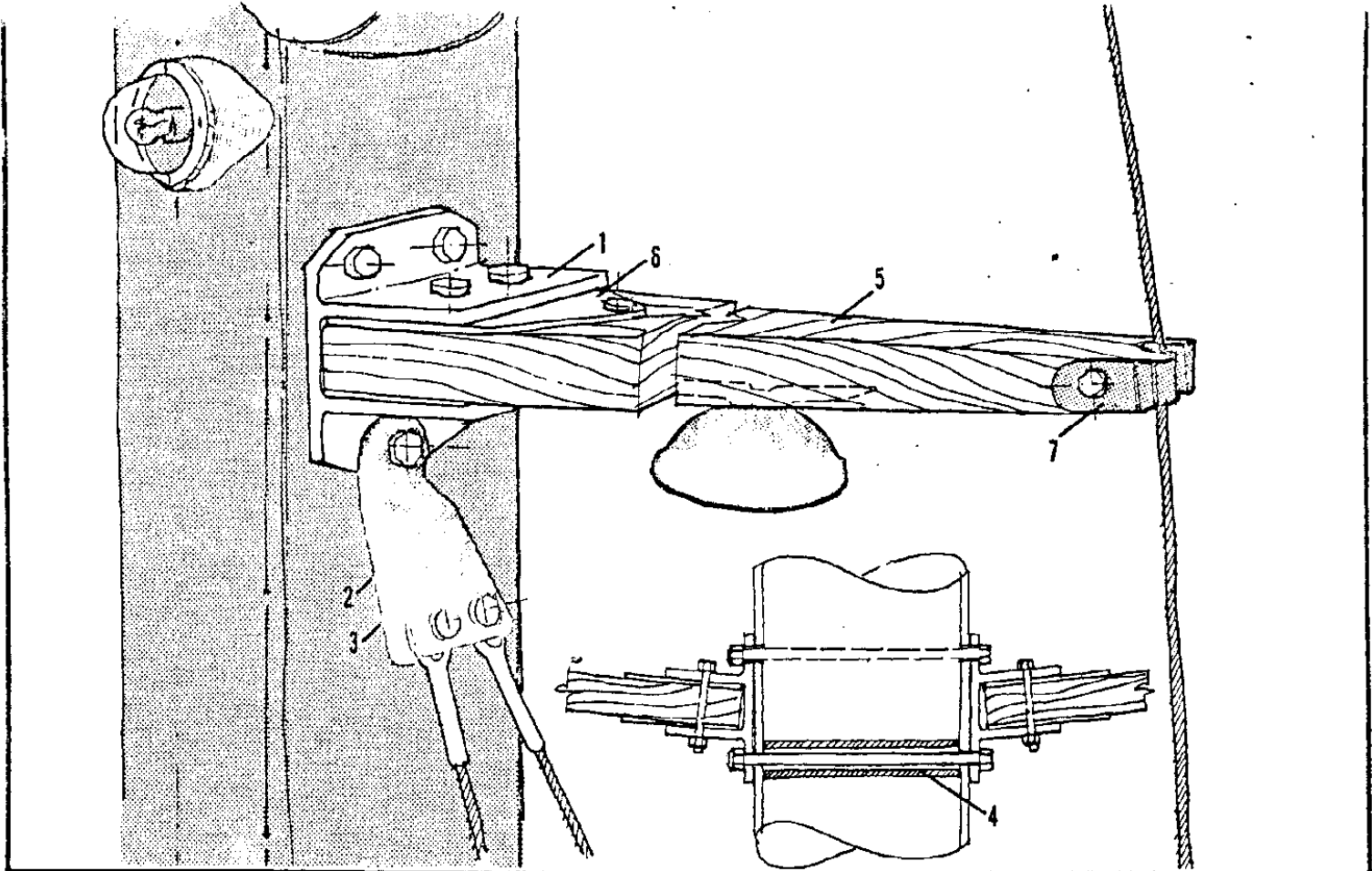


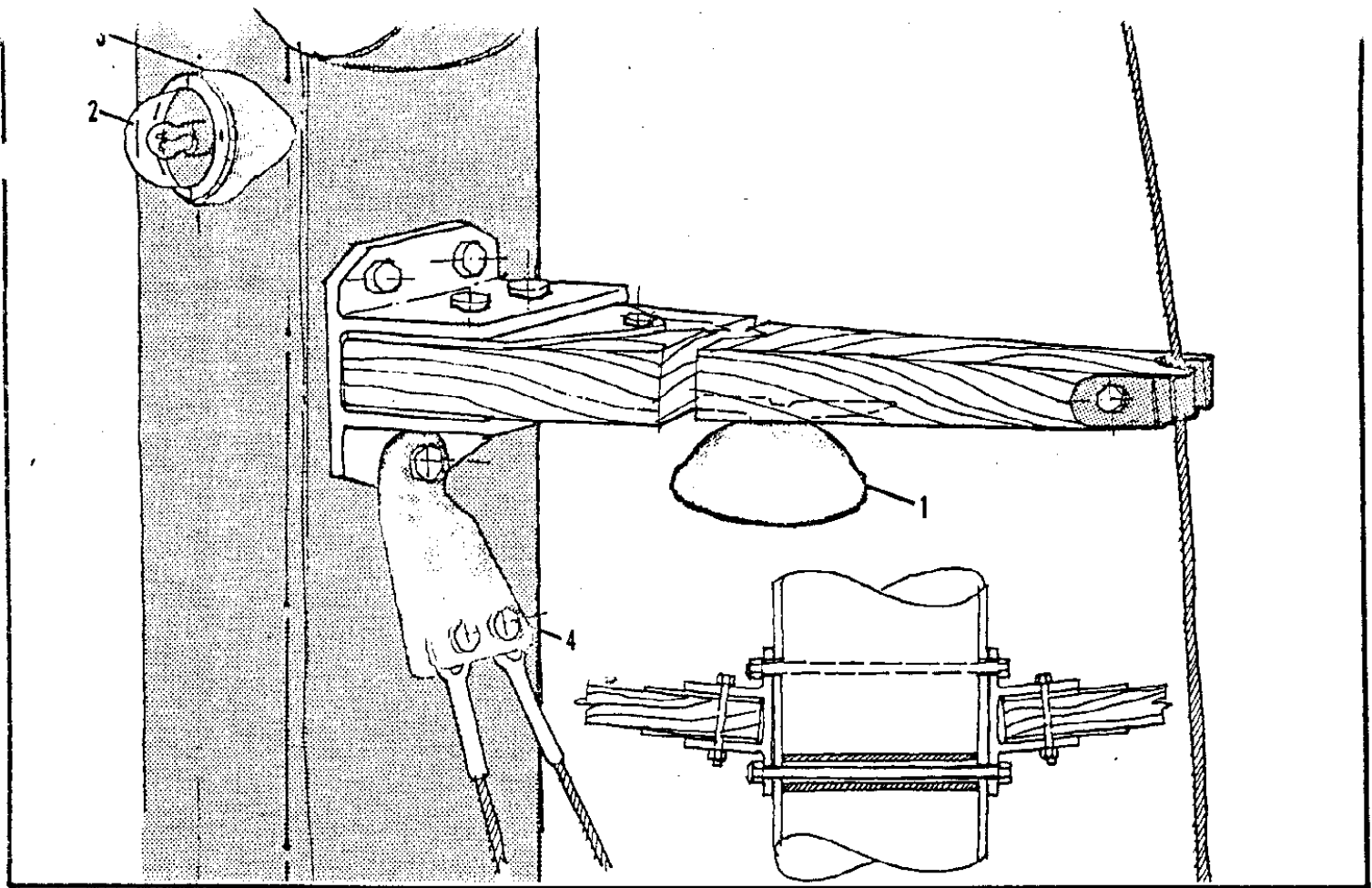
REF.	PART NUMBER	DESCRIPTION	STD./OPT.
	K 30 01 05 900	MASTHEAD ASSEMBLY, COMPLETE	1
1	K 30 01 07 900	MASTHEAD, ALUMINUM CASTING, ANNOXIDIZED	1
2	K 30 01 10 900	MASTHEAD RH CLEVIS PIN, 1/2"x2 1/2", S.S.	4
3	K 30 01 11 900	MASTHEAD RH CLEVIS PIN, 3/8"x2 1/2", S.S.	1
	K 30 01 15 740	3/32"x1 1/2" COTTER PIN, S.S.	7
4	K 30 01 23 900	SPACER, ALUMINUM	1
5	K 30 01 19 900	SHEAVE, CANVAS PHENOLIC FOR 3/8" LINE	4
6	K 30 01 16 900	TOGGLE, S.S., FOR FORESTAY AND BACKSTAY	2
7	K 30 01 17 900	RH CLEVIS, PIN, 1/2"x1", FOR TOGGLES	2
8	K 30 01 08 255	UPPER SHROUD INNER TANG, S.S.	2
9	K 30 01 09 255	UPPER SHROUD OUTER TANG, S.S.	2
	K 30 01 08-09F	FASTENER KIT: (1) 1/2"-13x6", HHMB, S.S. (1) 1/2"-13 CASTLE NUT, S.S.	1
10	K 30 01 01 900	MAST, 40'-0" ALUMINUM EXTRUSION STD, RIG	1
	K 30 01 00 100	MAST ASSEMBLY, COMPLETE W/SPREADERS	1
11	K 30 01 12 900	1/2"x1" RH CLEVIS PIN, S.S., FOR UPPER SHROUDS	2



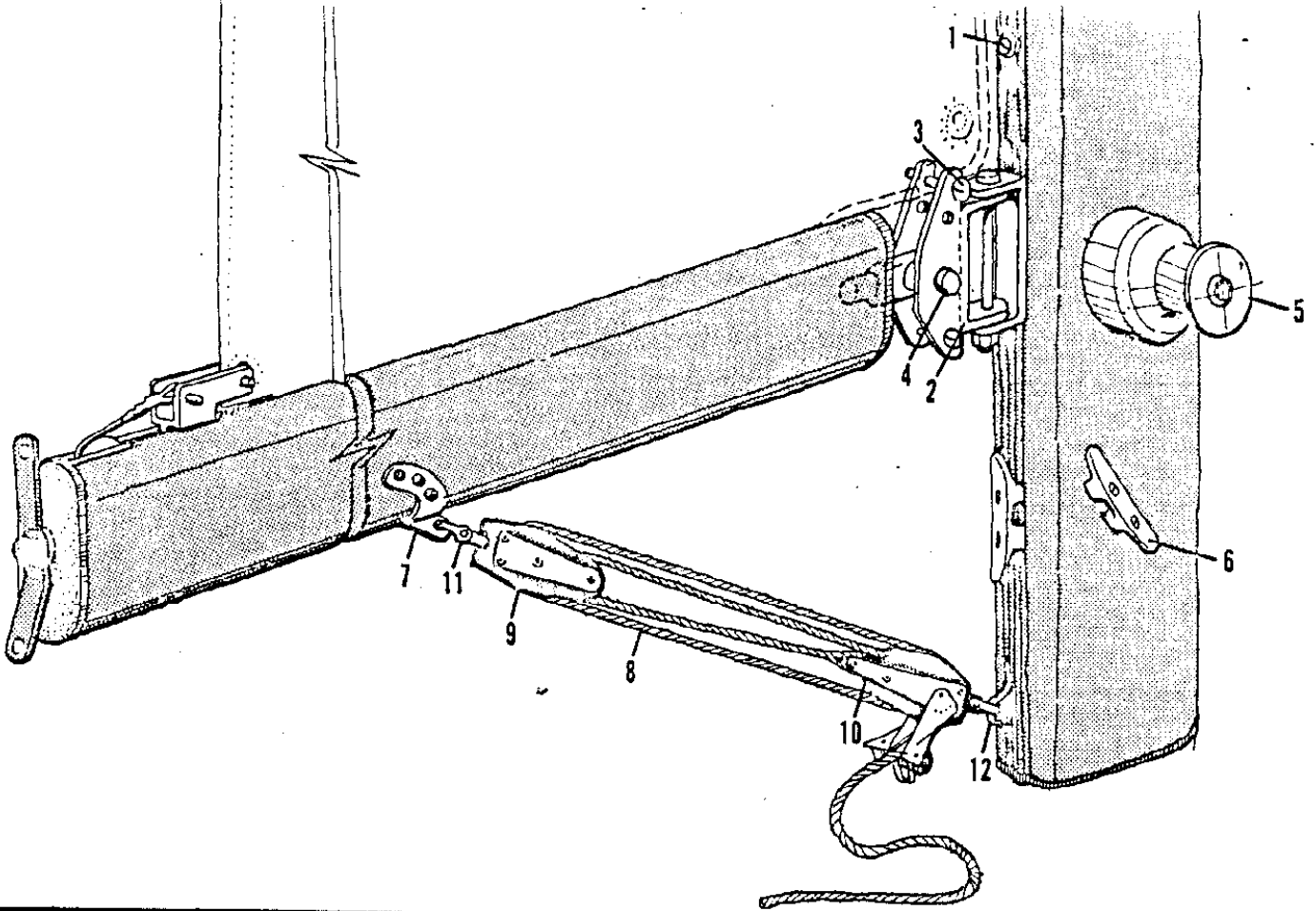
REF.	PART NUMBER	DESCRIPTION	STD.	OP
	K 33 05 00 100	HALYARD SET, COMPLETE (2) HALYARDS W/TAILS	1	
1	K 33 05 01 100	MAIN HALYARD, 7x19, 5/32"x43'-8"	1	
	K 33 05 03 275	MAIN HALYARD TAIL, BRAIDED DACRON, 3/8"x44'-0"	1	
2	K 33 05 05 100	JIB HALYARD, 7x19, 5/32"x46'-1"	1	
	K 33 05 07 275	JIB HALYARD TAIL, BRAIDED DACRON, 3/8"x44'-0"	1	
	K 75 08 00 100	ANCHOR (MASTHEAD) LIGHT, COMPLETE ASSEMBLY		1
3	K 75 08 01 497	ANCHOR LIGHT		1
	K 75 08 01F	FASTENER KIT: (3) #6x5/8" PHIL. PHSMS, S.S.		1
4	K 75 08 03 283	TEAK PAD		1
	K 75 08 03F	FASTENER KIT: (1) #10-24x1" SLOT. FHMS, S.S.		1
5	K 75 08 05 900	ANCHOR LIGHT TUBE, ALUMINUM		1
	K 75 08 05F	FASTENER KIT: (3) #10-24x1" SLOT. PHMS, S.S.		1
	K 75 08 07 097	ANCHOR LIGHT WIRE, 2 STRAND, 16 GAUGE, 44'-0"		1
	K 75 08 09 135	4 PRONG MALE CONNECTOR		1



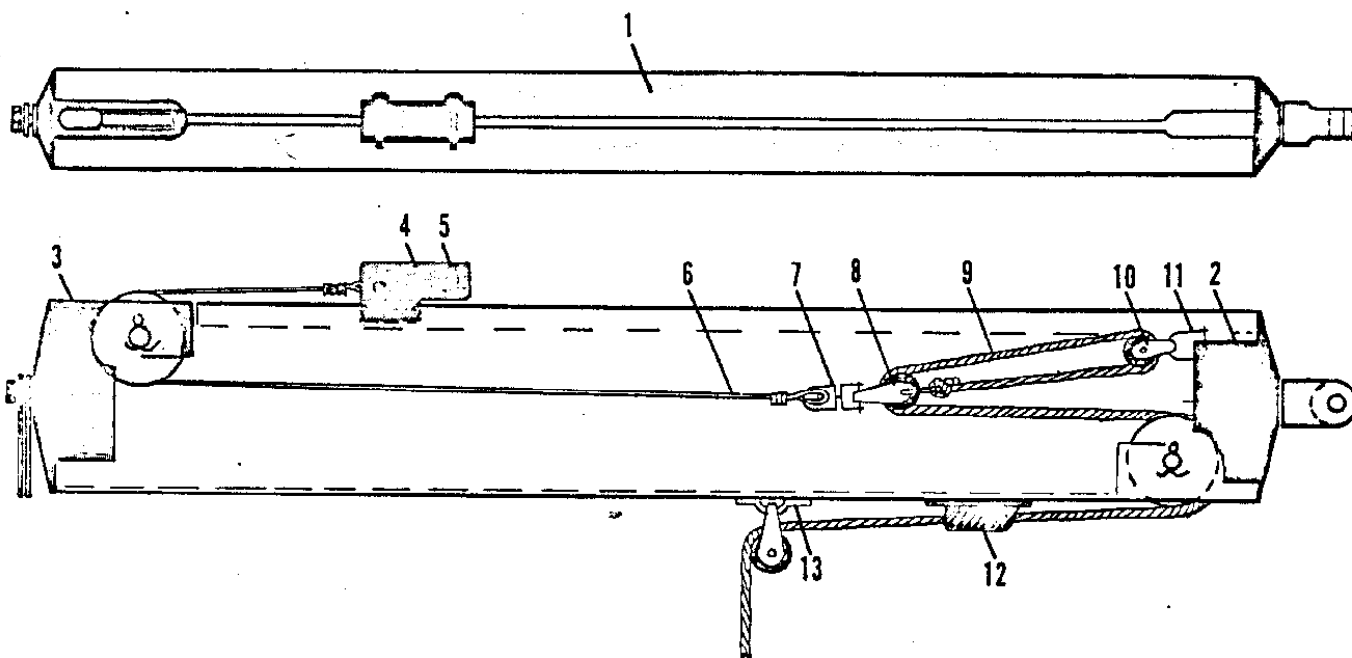
REF.	PART NUMBER	DESCRIPTION	STD./OPT
1	K 30 01 27 900	SPREADER BRACKET, ALUMINUM	2
2	K 30 01 28 255	LOWER SHROUD INNER TANG, S.S.	2
3	K 30 01 29 255	LOWER SHROUD OUTER TANG, S.S.	2
4	K 30 01 31 900	COMPRESSION TUBE, ALUMINUM	1
	K 30 01 27-31F	FASTENER KIT: (1) 1/2"-13x6 1/2", HHMB, S.S. (1) 1/2" 13 CASTLE NUT, S.S. (2) 3/8"-16x6" HHMB, S.S. (2) 3/8"-16 CASTLE NUT, S.S.	1
5	K 30 01 39 705	39" SPREADER, SPRUCE	2
	K 30 01 39F	FASTENER KIT: (2) 3/8"-16x2 3/4" HHMB, S.S.	2
6	K 30 01 40 255	SPREADER PLATE, ALUMINUM	4
	K 30 01 40F	FASTENER KIT: (7) 1/4"-20x2" HHMB, S.S. (7) 1/4"-20 CASTLE NUT, S.S.	2
7	K 30 01 42 255	SPREADER TIP, S.S.	2
	K 30 01 42F	FASTENER KIT: (1) 1/4"-20x2 1/2" HHMB, S.S. (1) 1/4"-20 CASTLE NUT, S.S.	2
	K 30 01 46 100	SPREADER ASSEMBLY, COMPLETE	2



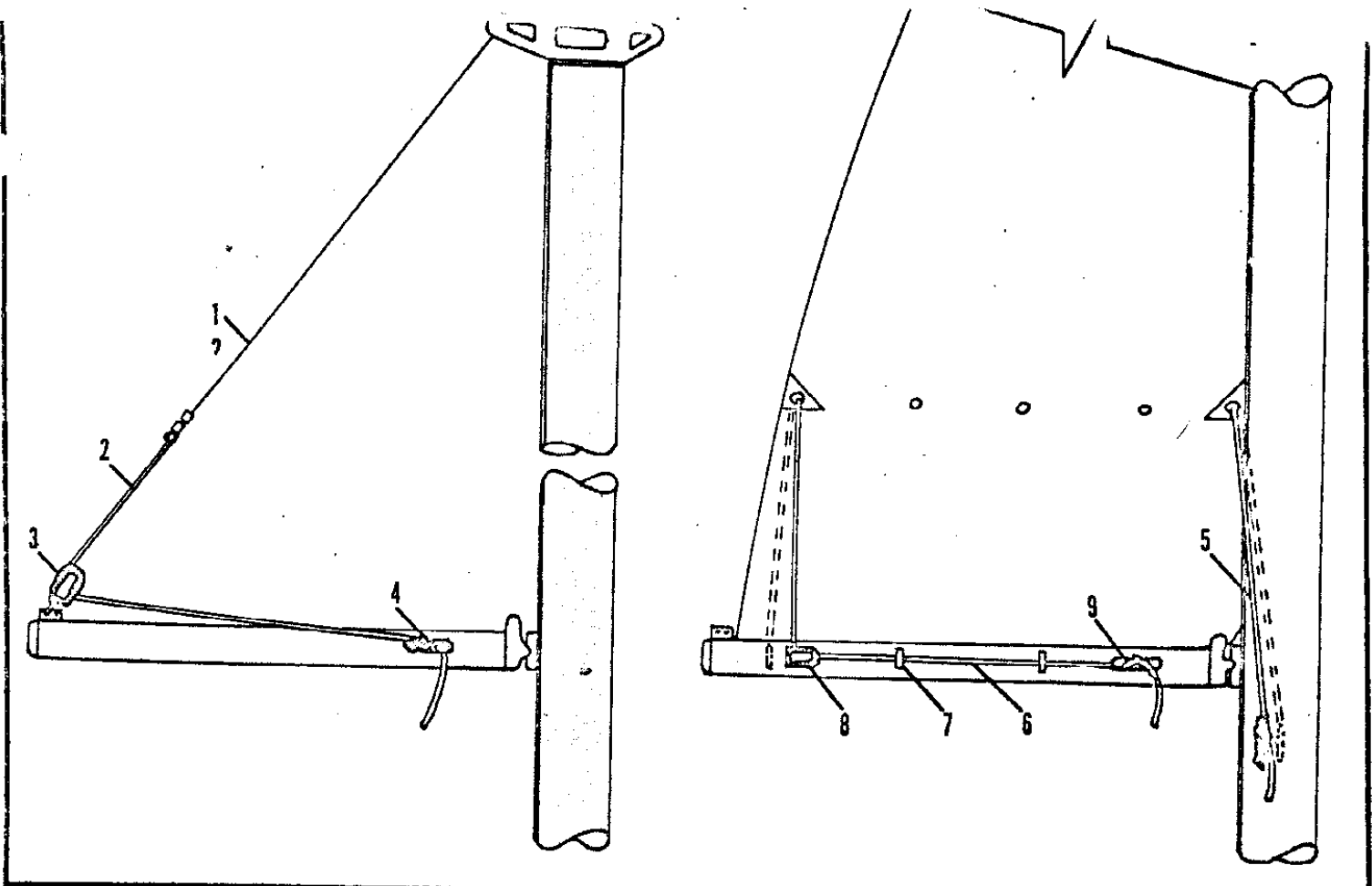
F.	PART NUMBER	DESCRIPTION	STD.	OPT.
1	K 30 01 33 900	3/8" x 3/4" RH CLEVIS PIN, S.S., FOR LOWER SHROUDS	4	
	K 30 01 35 740	3/32"x1 1/2" COTTER PIN, FOR CLEVIS PINS	4	
	K 75 09 00 100	STEAMING (BOW) LIGHT, COMPLETE ASSEMBLY	1	
2	K 75 09 01 497	STEAMING LIGHT (FIXTURE ONLY)	1	
	K 75 09 01F	FASTENER KIT: (3) #6x5/8" PHIL. PHSMS, S.S.	1	
3	K 75 09 03 285	TEAK PAD	1	
	K 75 09 03F	FASTENER KIT: (2) #10-24x2" SLOT. FHMS, S.S.	1	
	K 75 09 05 097	STEAMING LIGHT WIRE, 2 STRAND, 16 GAUGE, 25'-0"	1	
	K 75 09 08 135	4 PRONG MALE CONNECTOR	1	
	K 75 11 00 100	SPREADER LIGHT, COMPLETE ASSEMBLY		2
4	K 75 11 01 910	SPREADER LIGHT		2
	K 75 11 01F	FASTENER KIT: (2) #10x1 1/4" PHIL. PHSMS, S.S.		2
	K 75 11 05 097	SPREADER LIGHT WIRE, 2 STRAND, 16 GAUGE, 29'-0"		1
	K 75 11 06 675	RUBBER GROMMET		2
	K 75 11 15 135	4 PRONG MALE CONNECTOR		1
	K 75 11 19 135	4 PRONG FEMALE CONNECTOR, ON CABIN	1	



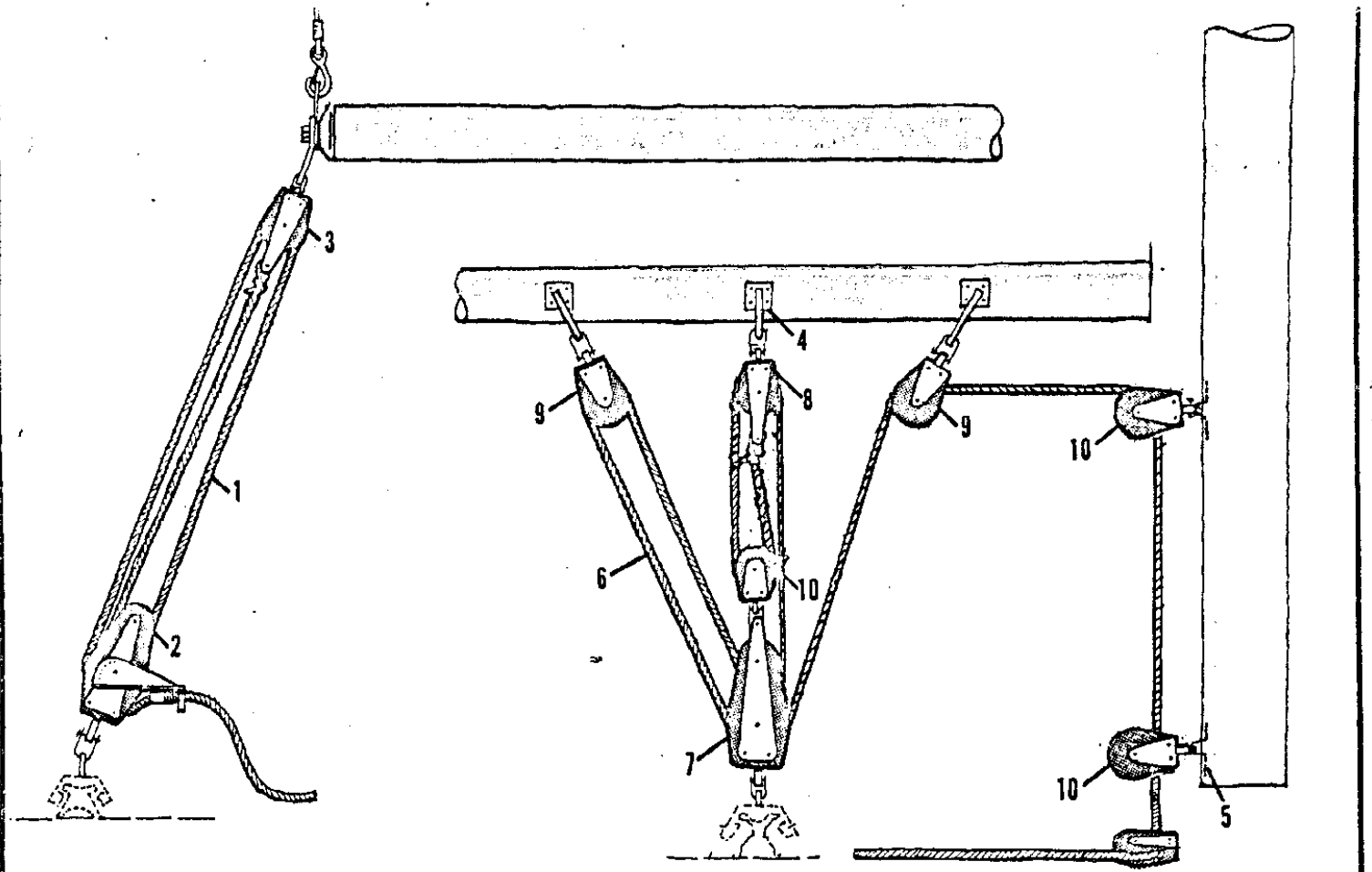
REF.	PART NUMBER	DESCRIPTION	STD.	OPT.
1	K 30 01 53 740	SAILSTOP, 1/4"-28x1/2" SLOT. RHMS, S.S., W/1/4" FLAT WASHER, S.S.		1
2	K 30 01 73 255	FIXED GOOSENECK, S.S.		1
	K 30 01 75 255	BACK UP PLATE, S.S.		1
	K 30 01 73-75F	FASTENER KIT: (3) 1/4"-28x1 1/4" SLOT. RHMS, S.S.		1
3	K 30 01 77 900	TACK PIN, 5/16"x1 1/2" RH CLEVIS PIN, S.S.		1
	K 30 01 79 725	COTTER RING, FOR TACK PIN		1
4	K 30 01 81 900	GOOSENECK RH 1/2"x1 1/2" CLEVIS PIN, S.S.		1
	K 30 01 82 740	3/32"x1 1/2" COTTER PIN, FOR GOOSENECK CLEVIS PIN, S.S.		1
5	K 32 01 00 478	HALYARD WINCH		2
	K 32 01 00F	FASTENER KIT: (4) 1/4"-20x1 1/4" SLOT. RHMS, S.S.		2
	K 32 04 00 478	WINCH HANDLE		1
6	K 30 01 49 760	6" JAM CLEAT, ALUMINUM, FOR HALYARDS AND CUNNINGHAM	3	
	K 30 01 49F	FASTENER-KIT: (2) 1/4"-20x1 1/2" SLOT. FHMS, S.S.	3	
	K 33 07 05 275	CUNNINGHAM, 3/8"x7'-0", BRAIDED DACRON	1	
7	K 35 08 03 530	BOOM VANG HOUND, S.S.		1
	K 35 08 03F	FASTENER KIT: (6) #8x3/4" PHIL. PHSMS, S.S.		1
8	K 35 08 11 275	VANG LINE, 5/16"x35'-0", BRAIDED DACRON		1
9	K 35 08 07 725	FIDDLE BLOCK		1
10	K 35 08 05 725	FIDDLE BLOCK W/BECKET AND CAM CLEAT		1
11	K 35 08 09 725	SHACKLE, S.S.		2
12	K 35 08 04 255	BOOM VANG EYE STRAP, S.S.		1
	K 35 08 04F	FASTENER KIT: (4) #8x3/4" PHIL. PHSMS, S.S.		1
	K 35 08 00 100	BOOM VANG ASSEMBLY, COMPLETE		1



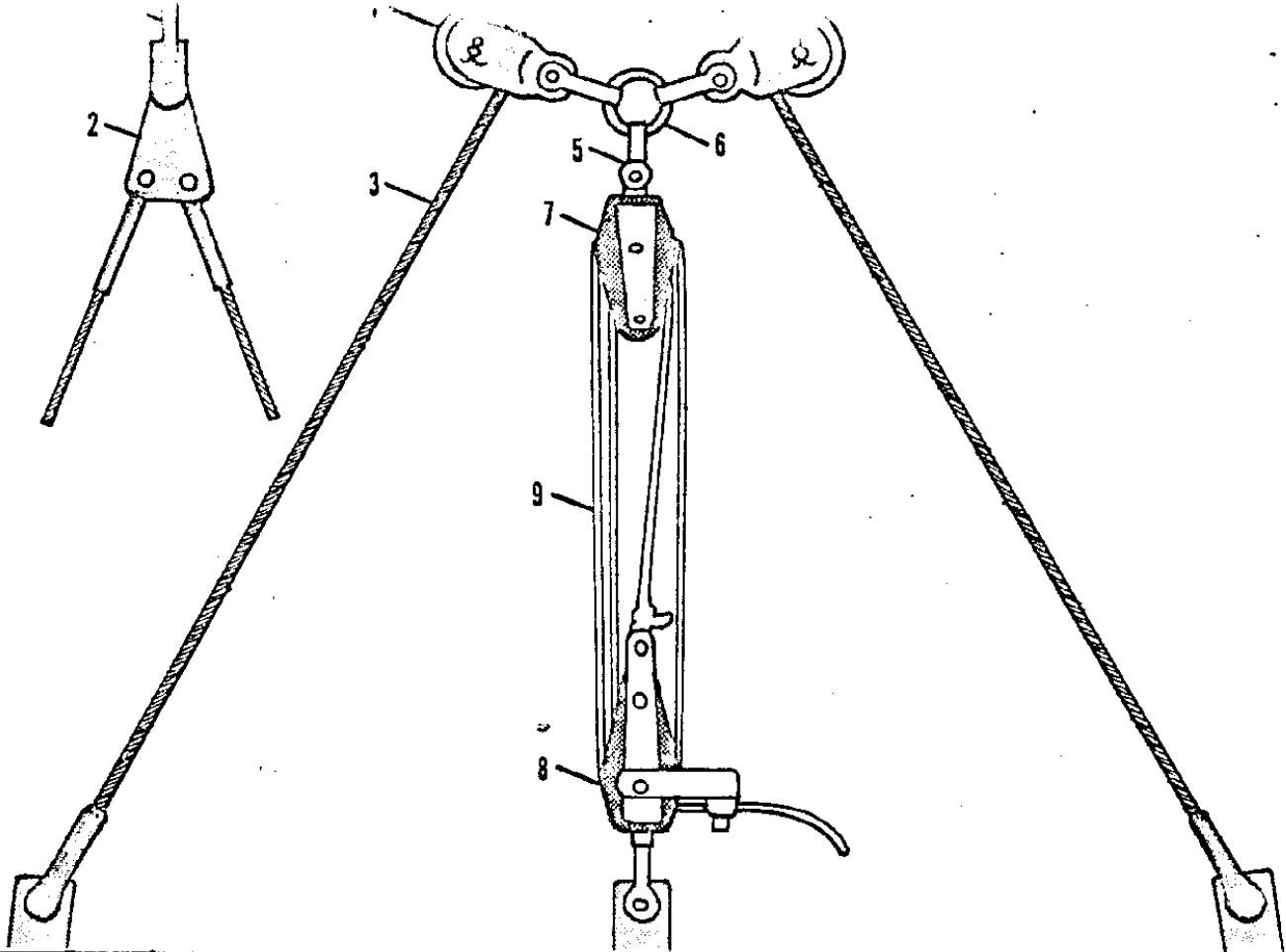
EF.	PART NUMBER	DESCRIPTION	STD.	OPT.
1	K 31 01 01 100	12'-6" BOOM, ALUMINUM EXTRUSION, MACHINED	1	
2	K 31 01 05 900	INBOARD BOOM END CASTING ASSEMBLY W/SHEAVE AND SWIVEL PIN	1	
	K 31 01 05F	FASTENER KIT: (4) #8x3/4" PHIL. PHSMS, S.S.	1	
3	K 31 01 21 900	OUTBOARD BOOM END CASTING ASSEMBLY W/SHEAVE AND TANGS	1	
	K 31 01 21F	FASTENER KIT: (4) #8x3/4" PHIL. PHSMS, S.S.	1	
4	K 31 01 47 900	OUTHAUL CAR, ALUMINUM ANODIZED	1	
5	K 31 01 49 900	RH 5/16"x1 1/4" CLEVIS PIN W/COTTER RING	2	
6	K 31 01 51 100	OUTHAUL, 7x19, 3/32"x11'-0" PLASTIC COATED WIRE	1	
7	K 31 01 53 725	SWIVEL COUPLER	1	
8	K 31 01 55 725	SINGLE BLOCK W/BECKET	1	
9	K 31 01 57 100	OUTHAUL TAIL, 1/4"x10'-0", BRAIDED DACRON	1	
10	K 31 01 59 725	SINGLE BLOCK	1	
11	K 31 01 61 255	SHACKLE, S.S.	2	
12	K 31 01 63 725	CLAM CLEAT, BLACK PLASTIC	1	
	K 31 01 63F	FASTENER KIT: (2) #10 POP RIVIT	1	
13	K 31 01 65 255	PAD EYE, S.S.	1	
	K 31 01 65F	FASTENER KIT: (2) #10 POP RIVIT	1	
	K 31 01 00.100	BOOM ASSEMBLY, COMPLETE	1	



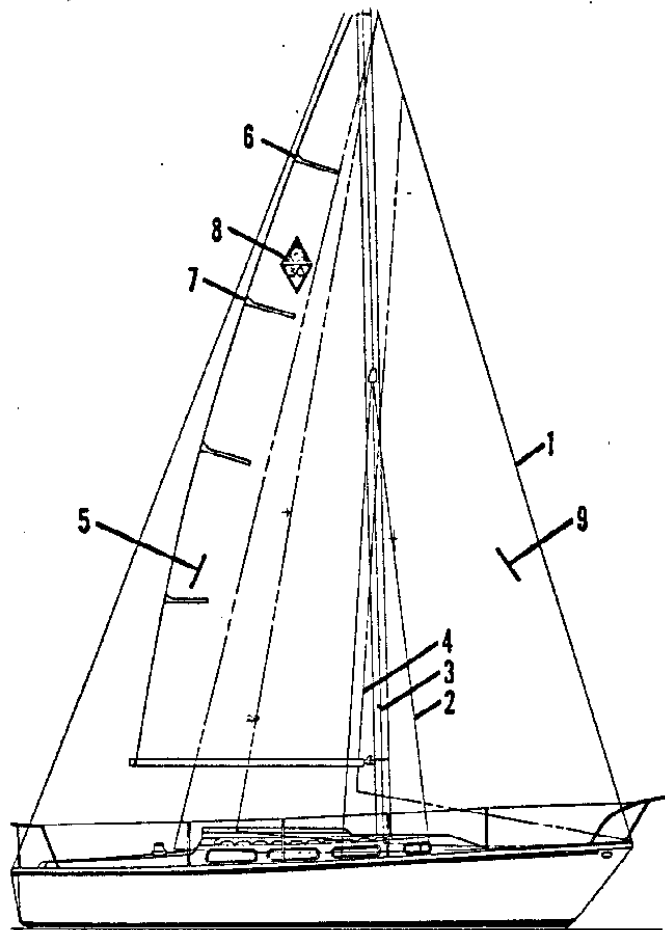
EF.	PART NUMBER	DESCRIPTION	STD./OPT.
	K 34 03 00 100	TOPPING LIFT ASSEMBLY, COMPLETE	1
1	K 34 03 01 100	TOPPING LIFT, 7x19, 1/8"x32'-0"	1
2	K 34 03 03 275	TOPPING LIFT TAIL, BRAIDED DACRON, 5/16"x20'-0"	1
3	K 34 03 07 255	SINGLE BLOCK	1
	K 34 03 05 255	SHACKLE, S.S.	2
4	K 34 03 09 255	4 1/2" JAM CLEAT, BLACK ANODIZED	1
	K 34 03 09F	FASTENER KIT: (2) #10x1 1/4" SLOT. OHSMS, S.S.	1
	K 35 10 00 100	JIFFY REEFING ASSEMBLY, COMPLETE	1
5	K 35 10 07 275	JIFFY REEFING LINE, BRAIDED DACRON, 5/16"x12'-0"	1
6	K 35 10 09 275	JIFFY REEFING LINE, BRAIDED DACRON, 5/16"x22'-0"	1
7	K 35 10 05 255	PAD EYE, S.S.	3
	K 35 10 05F	FASTENER KIT: (2) #10x1 1/4" PHIL. PHSMS, S.S.	3
8	K 35 10 01 725	CHEEK BLOCK	1
	K 35 10 01F	FASTENER KIT: (3) #10-24x1 1/2" SLOT. RHMS, S.S.	1
9	K 35 10 03 255	4 1/2" JAM CLEAT, BLACK ANODIZED	2
	K 35 10 03F	FASTENER KIT: (2) #10x1 1/4" SLOT. OHSMS, S.S.	2



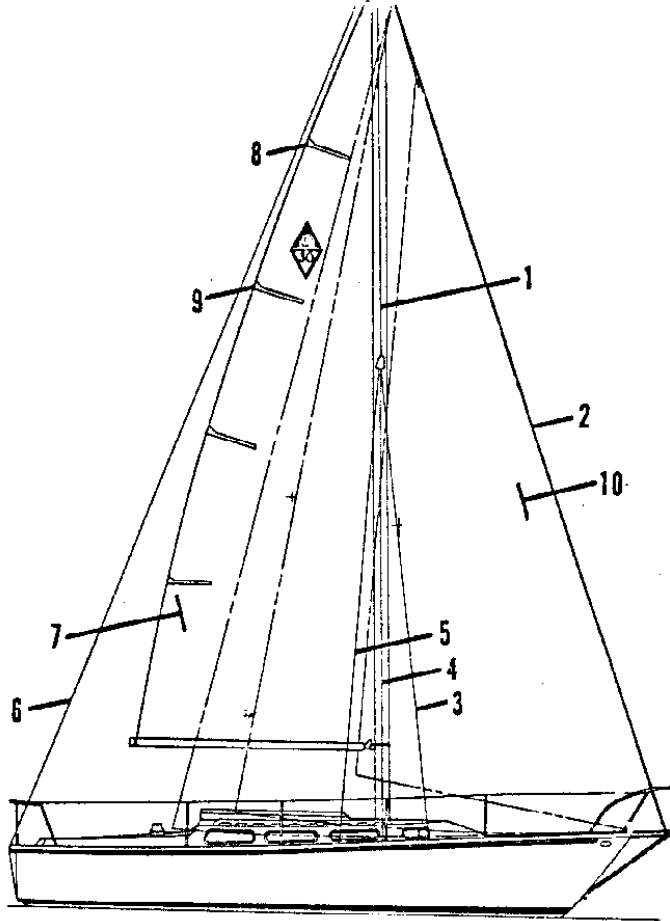
REF.	PART NUMBER	DESCRIPTION	STD./OPT
1	K 37 01 26 275	AFT TRAVELER MAIN SHEET, BRAIDED DACRON, 7/16" x 60'-0"	1
2	K 33 12 01 725	FIDDLE BLOCK W/BECKET AND CAM CLEAT	1
3	K 33 12 03 725	FIDDLE BLOCK	1
4	K 33 13 50 255	BOOM BALE, S.S.	3
	K 33 13 50F	FASTENER KIT: (6) #10x1" PHIL. PHSMS, S.S.	3
5	K 33 13 51 255	EYE STRAP, AT FOOT OF MAST, S.S.	1
	K 33 13 51F	FASTENER KIT: (4) #10x1" PHIL. PHSMS, S.S.	1
6	K 37 01 25 275	MIDSHIP TRAVELER MAINSHEET, BRAIDED DACRON, 7/16" x 72'-0"	1
7	K 33 13 53 725	FIDDLE BLOCK W/BECKET	1
8	K 33 13 55 725	SINGLE BLOCK W/BECKET	1
9	K 33 13 57 725	SINGLE BLOCK	2
10	K 33 13 61 725	MINI SINGLE BLOCK	3



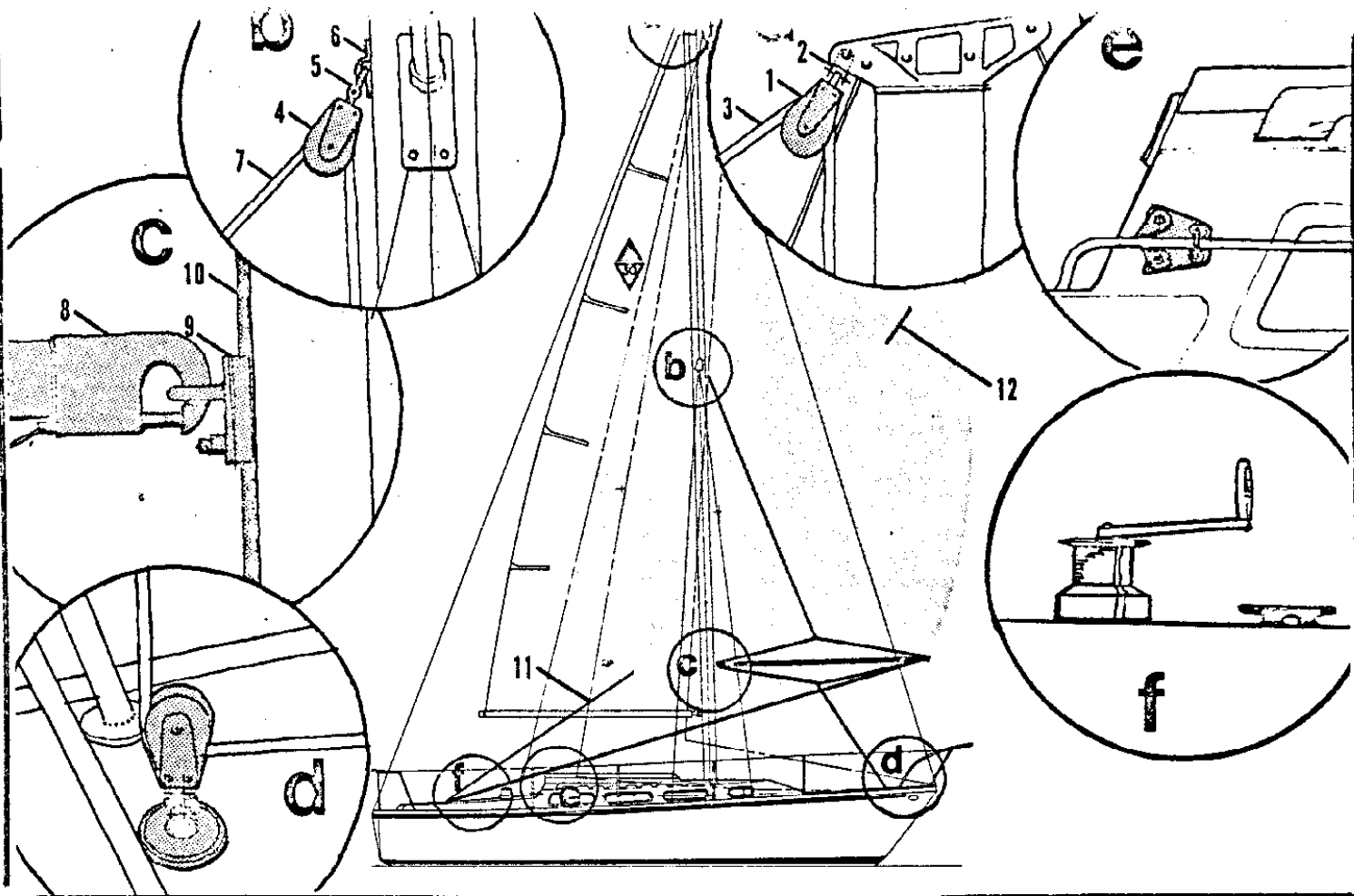
REF.	PART NUMBER	DESCRIPTION	STD./OPT.
	K 33 01 17 100	BACKSTAY, 1x19, 1/4"x38'-5", S.S.	1
1	K 32 10 09 900	3/8"-16 TURNBUCKLE, S.S.	1
2	K 33 01 19 255	TANG, S.S.	2
	K 33 01 20 900	5/16"x3/4" FH CLEVIS PIN, S.S.	4
	K 33 01 21 740	3/32"x1 1/2" COTTER PINS, S.S.	4
3	K 33 01 18 100	BRIDLE, 1x19, 3/16"x5'-8 1/2"	2
4	K 33 03 05 530	3/16" WIRE BLOCK, S.S.	2
5	K 33 03 07 725	SHACKLE, S.S.	3
6	K 33 03 09 010	2" RING, S.S.	1
7	K 33 03 03 725	FIDDLE BLOCK	1
8	K 33 03 13 725	FIDDLE BLOCK W/BECKET AND CAM CLEAT	1
9	K 33 03 11 275	ADJUSTER LINE, BRAIDED DACRON, 5/16"x20'-0"	1
	K 33 03 00 100	SPLIT BACKSTAY ADJUSTER, COMPLETE ASSEMBLY	1



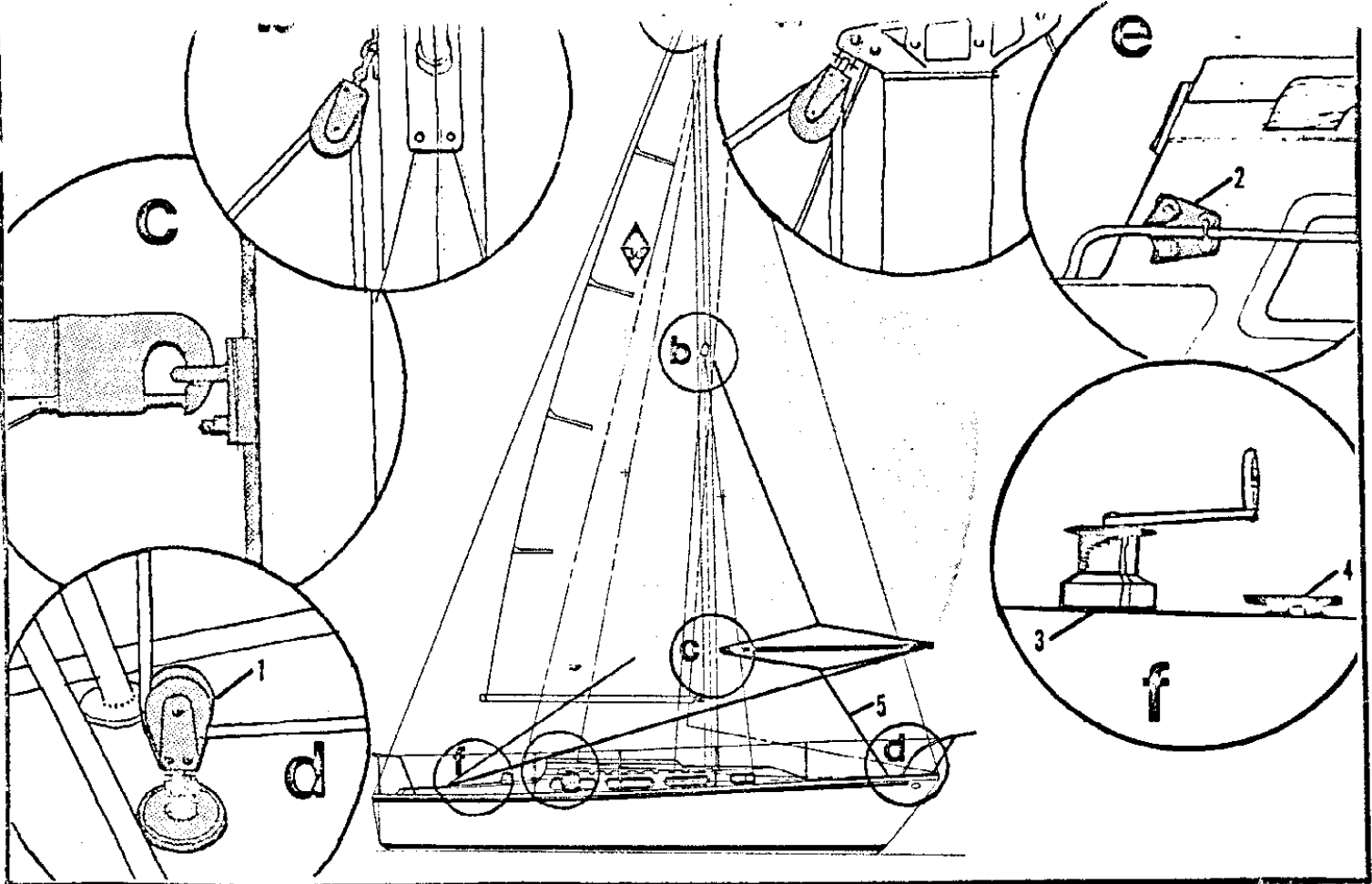
QTY.	PART NUMBER	DESCRIPTION	STD./OPT
1	K 33 01 03 100	FORESTAY, 1x19, 1/4"x41'-6 1/2", S.S.	1
2	K 33 01 05 100	FORWARD LOWER SHROUD, 1x19, 3/16"x21'-6 1/2", S.S.	2
3	K 33 01 09 100	UPPER SHROUD, 1x19, 1/4"x40'-4", S.S.	2
4	K 33 01 13 100	AFT LOWER SHROUD, 1x19, 3/16"x21'-10 1/2"	2
	K 33 01 22 500	1/4" EYE, S.S., ONLY	4
	K 33 01 23 500	1/4" STUD, S.S., ONLY	4
	K 33 01 33 500	3/16" EYE, S.S., ONLY	4
	K 33 01 25 500	3/16" STUD, S.S., ONLY	4
	K 33 01 37 500	3/16" FORK, S.S., ONLY	2
5	K 37 02 00 100	MAINSAIL W/SLIDES, SHEET, BATTENS, SAILBAG	1
6	K 37 03 02 100	MAINSAIL W/REEF POINTS, SLIDES, SHEET, BATTENS, SAILBAG	1
7	K 37 01 11 046	1 1/4"x25 3/4" BATTEN, ASH	2
7	K 37 01 13 046	1 1/4"x28 1/2" BATTEN, ASH	2
	K 37 01 09 300	7/8" MAINSAIL SLIDE, NYLON	15
8	K 37 01 15 550	CLASS INSIGNIA, RED AND BLACK	2
	K 37 01 17 550	SAIL NUMBER, BLACK	2
	K 37 04 05 715	HALYARD SHACKLE, S.S.	3
9	K 37 04 00 100	110% LAPPER W/SHEETS AND SAIL BAG	1
	K 37 04 25 275	JIB SHEET, 7/16"x70'-0", BRAIDED DACRON	1
	K 37 07 00 100	150% GENOA W/SHEETS AND SAIL BAG	1
	K 37 09 00 100	165% GENOA W/SHEETS AND SAIL BAG	1
	K 37 07 25 275	GENOA SHEET, 7/16"x80'-0", BRAIDED DACRON	1
	K 37 04 03 300	HANK, BRONZE	12
	K 37 52 00 100	MAINSAIL COVER, CANVAS, SPECIFY COLOR	1
	K 37 01 33 100	MAINSAIL BAG	1
	K 37 04 33 100	110% LAPPER SAILBAG	1
	K 37 07 33 100	150% GENOA SAILBAG	1
	K 37 09 33 100	165% GENOA SAILBAG	1



REF.	PART NUMBER	DESCRIPTION	STD./OPT
1	K 38 01 37 100	TALL RIG MAST ASSEMBLY, COMPLETE	1
2	K 38 01 35 900	TALL RIG MAST, 42'-0" EXTRUSION, ALUMINUM	1
3	K 38 01 39 100	TALL RIG W/BOW SPRIT FORESTAY, 1x19, 1/4"x43'-9", S.S.	1
4	K 38 01 41 100	TALL RIG FORWARD LOWER SHROUD, 1x19, 3/16"x21'-7", SS	2
5	K 38 01 43 100	TALL RIG UPPER SHROUD, 1x19, 1/4"x42'-4", S.S.	2
6	K 38 01 45 100	TALL RIG AFT LOWER SHROUD, 1x19, 3/16"x21'-10 3/4", SS	2
	K 38 01 47 100	TALL RIG BACKSTAY, 1x19, 1/4"x40'-6 1/2", S.S.	1
	K 38 01 51 100	TALL RIG MAIN HALYARD, 1x19, 5/32"x45'-8"	1
	K 38 01 53 100	TALL RIG JIB HALYARD, 1x19, 5/32"x48'-1"	1
7	K 38 03 00 100	TALL RIG MAINSAIL W/SLIDES, SHEET, BATTENS, SAILBAG	1
	K 38 03 01 100	TALL RIG MAINSAIL W/REEF POINTS, SLIDES, SHEETS, BATTENS AND SAILBAG	1
8	K 38 02 11 046	TALL RIG 1 1/4"x25 3/4" BATTEN, ASH	2
9	K 38 02 13 046	TALL RIG 1 1/4"x28 3/4" BATTEN, ASH	2
10	K 38 04 00 100	TALL RIG W/BOW SPRIT. 110% LAPPER W/SHEETS, SAILBAG	1
	K 38 06 00 100	TALL RIG W/BOWSPRIT. 150% GENOA W/SHEETS, SAILBAG	1
	K 38 12 01 100	TALL RIG MAIN SAILBAG	1
	K 38 12 05 100	TALL RIG W/BOW SPRIT. 110% LAPPER SAILBAG	1
	K 38 12 07 100	TALL RIG W/BOW SPRIT. 150% GENOA SAILBAG	1
	K 38 12 09 100	TALL RIG W/BOW SPRIT. 165% GENOA SAILBAG	1
	K 38 07 00 100	TALL RIG W/BOW SPRIT 165% GENOA, SHEETS, SAILBAG	1



	F.	PART NUMBER	DESCRIPTION	STD./OPT.
		K 35 01 00 100	SPINNAKER GEAR, COMPLETE	1
1		K 35 01 01 725	SINGLE BLOCK, FOR SPINNAKER HALYARD	1
2		K 35 01 03 715	SHACKLE, FOR SINGLE BLOCK, S.S.	1
3		K 35 01 05 275	SPINNAKER HALYARD, BRAIDED DACRON, 7/16"x85'-0"	1
4		K 35 01 07 725	SINGLE BLOCK, FOR SPINNAKER TOPPING LIFT	1
5		K 35 01 09 715	SHACKLE, FOR SINGLE BLOCK, S.S.	1
6		K 35 01 11 255	PAD EYE, S.S., FOR TOPPING LIFT SINGLE BLOCK	1
7		K 35 01 11F	FASTENER KIT: (2) #10x1 1/4" PHIL. PHSMS, S.S.	1
		K 35 01 13 275	SPINNAKER TOPPING LIFT, BRAIDED DACRON, 3/8"x35'-0"	1
		K 35 01 15 760	6" JAM CLEAT, ON MAST, FOR HALYARD AND TOPPING LIFT	2
		K 35 01 15F	FASTENER KIT: (2) 1/4"-20x1 1/2" FHMS, S.S.	2
8		K 35 01 17 225	STANDARD RIG 11'-7" SPINNAKER POLE, ALUMINUM.	1
		K 35 01 18 225	BOW SPRIT OPTION 13'-2" SPINNAKER POLE, ALUMINUM	1
		K 35 01 43 270	3 1/4" SWIVEL SNAP SHACKLE, BRONZE	5
9		K 35 01 19 530	SPINNAKER CAR (EYE)	1
10		K 35 01 21 900	1"x54" SPINNAKER T-TRACK, ANODIZED ALUMINUM	1
		K 35 01 21F	FASTENER KIT: (13) 1/4"-20x1 1/2" SLOT. FHMS, S.S. (1) 1/4"-20x1 1/2" SLOT. RHMS, S.S. (2) 1/4" FLAT WASHER, S.S.	1
11		K 35 01 41 275	SPINNAKER SHEET, BRAIDED DACRON, 3/8"x65'-0"	2
		K 35 01 39 725	SPINNAKER SHEET SINGLE BLOCK	2
		K 35 01 37 725	STAND UP SPRING, FOR BLOCK	2
		K 35 01 35 530	SPINNAKER SHEET CAR	2
		K 37 11 00 100	3/4 OZ. SPINNAKER, FOR STANDARD RIG W/SHEETS, TURTLE	1
		K 37 11 33 100	SPINNAKER TURTLE, FOR STANDARD RIG	1
		K 38 08 00 100	3/4 OZ. SPINNAKER, FOR TALL RIG W/BOW SPRIT, W/ SHEETS AND TURTLE	1
		K 38 12 15 100	SPINNAKER TURTLE, FOR TALL RIG W/BOW SPRIT	1



REF.	PART NUMBER	DESCRIPTION	STD./OPT.
1	K 35 01 23 725 K 35 01 23F	FOREGUY STAND UP BLOCK FASTENER KIT: (4) 1/4"-20x2" SLOT. FHMS, S.S. (4) 1/4" FLAT WASHER, S.S. (4) 1/4" LOCK WASHER, S.S. (4) 1/4"-20 HEX NUT, S.S. (4) 1/4"-20 HEX CAP NUT, S.S.	1 1
	K 35 01 24 725 K 35 01 24F	FOREGUY LEAD STAND UP BLOCK FASTENER KIT: (4) 1/4"-20x2" SLOT. FHMS, S.S. (4) 1/4" FLAT WASHER, S.S. (4) 1/4" LOCK WASHER, S.S. (4) 1/4"-20 HEX NUT, S.S. (4) 1/4"-20 HEX CAP NUT, S.S.	1 1
2	K 35 01 25 725 K 35 01 25F	FOREGUY CAM CLEAT, S.S. FASTENER KIT: (2) 1/4"-20x2" SLOT. FHMS, S.S. (2) 1/4" FLAT WASHER, S.S. (2) 1/4" LOCK WASHER, S.S. (2) 1/4"-20 HEX NUT, S.S. (2) 1/4"-20 HEX CAP NUT, S.S.	1 1
3	K 35 01 29 478 K 35 01 29F	SPINNAKER SHEET WINCH FASTENER KIT: (4) 1/4"-20x2" SLOT. FHMS, S.S. (4) 1/4" FLAT WASHER, S.S. (4) 1/4" LOCK WASHER, S.S. (4) 1/4"-20 HEX NUT, S.S.	2 2
4	K 35 01 33 760 K 35 01 33F	SPINNAKER SHEET 6" JAM CLEAT, ALUMINUM FASTENER KIT: (2) 1/4"-20x2" SLOT. FHMS, S.S. (2) 1/4" FLAT, LOCK WASHER, S.S. (2) 1/4"-20 HEX NUT, S.S.	2 2
5	K 35 01 27 275	FOREGUY, BRAIDED DACRON, 3/8" x 44'-0"	1