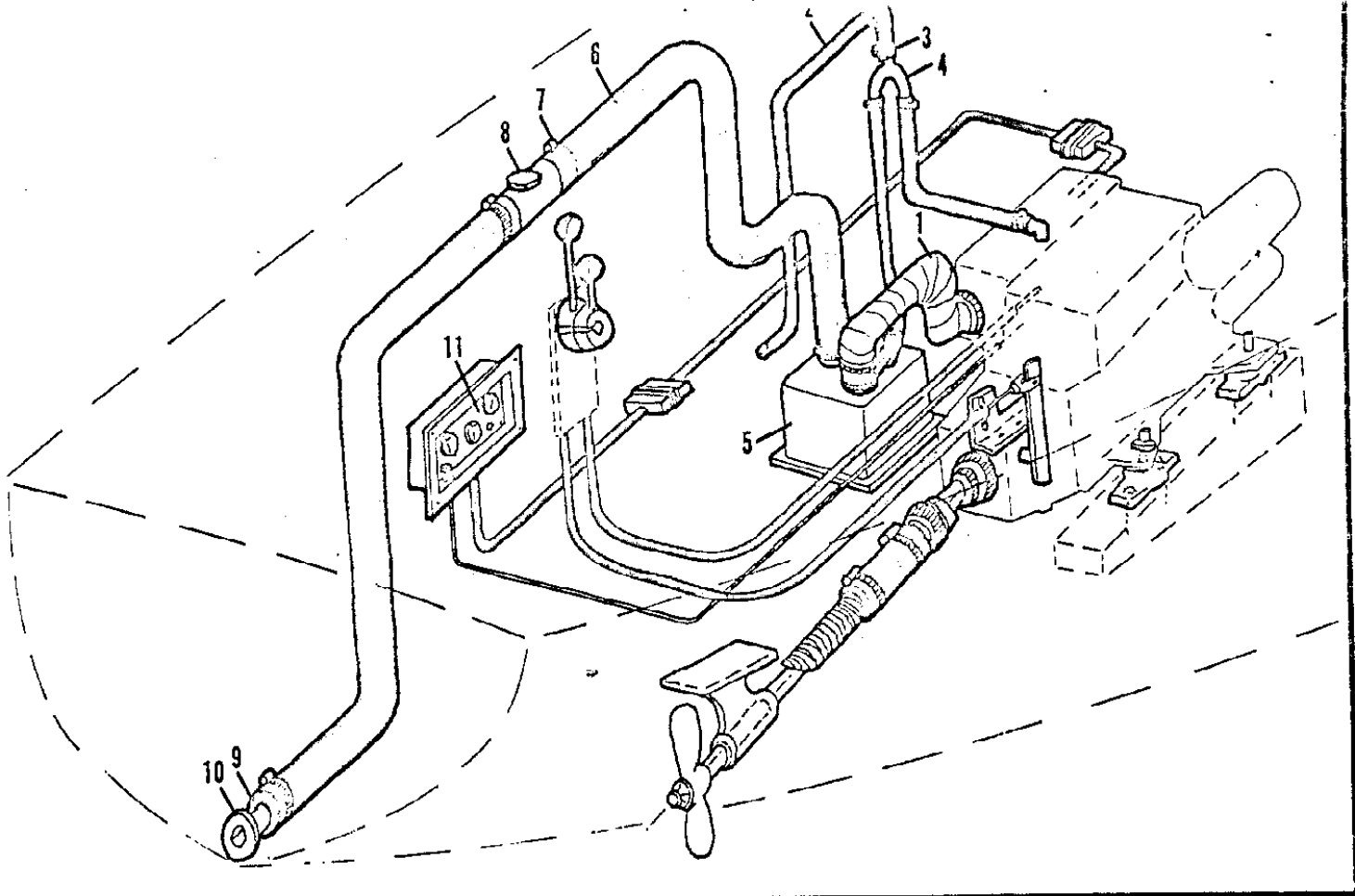
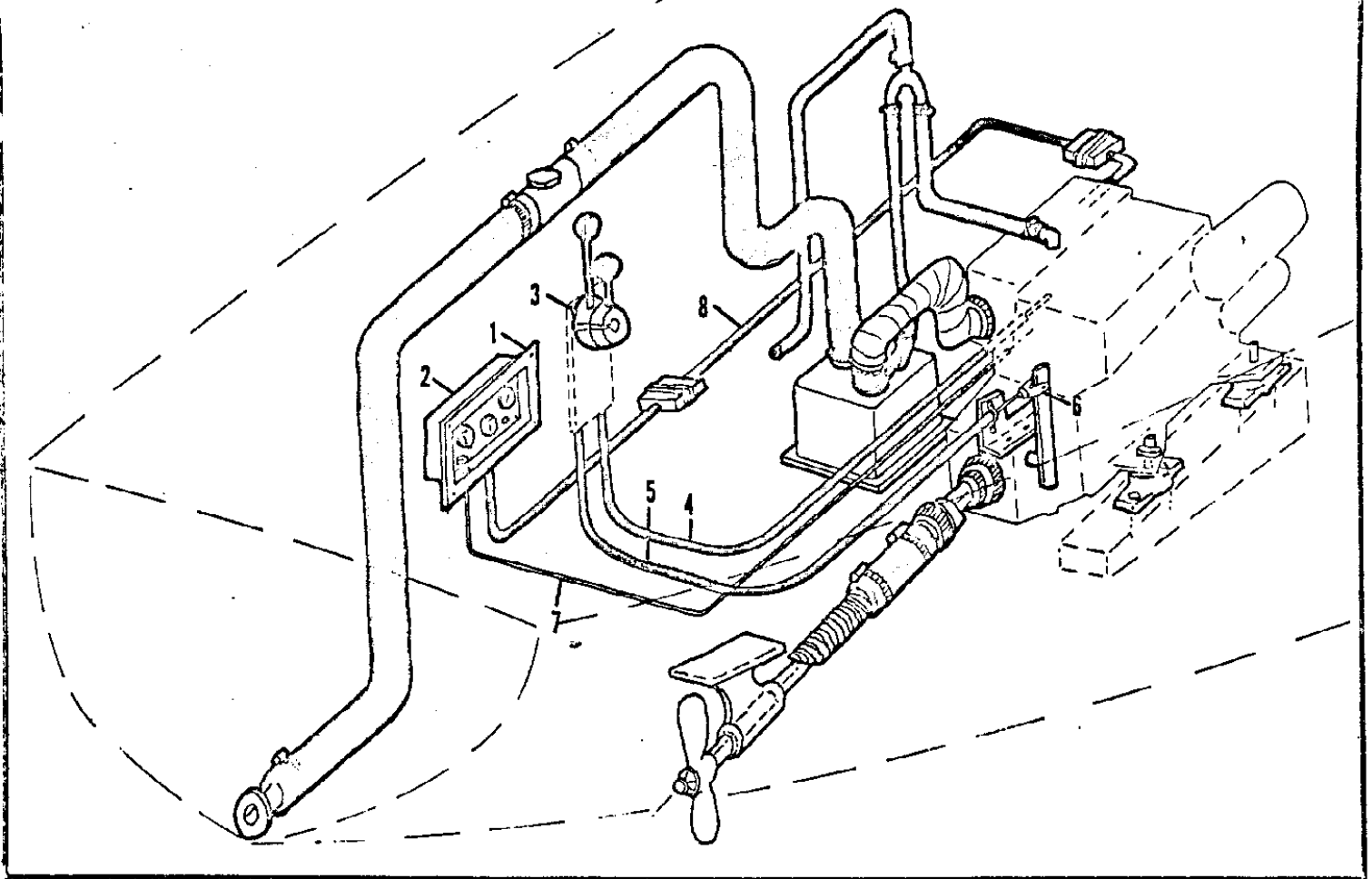


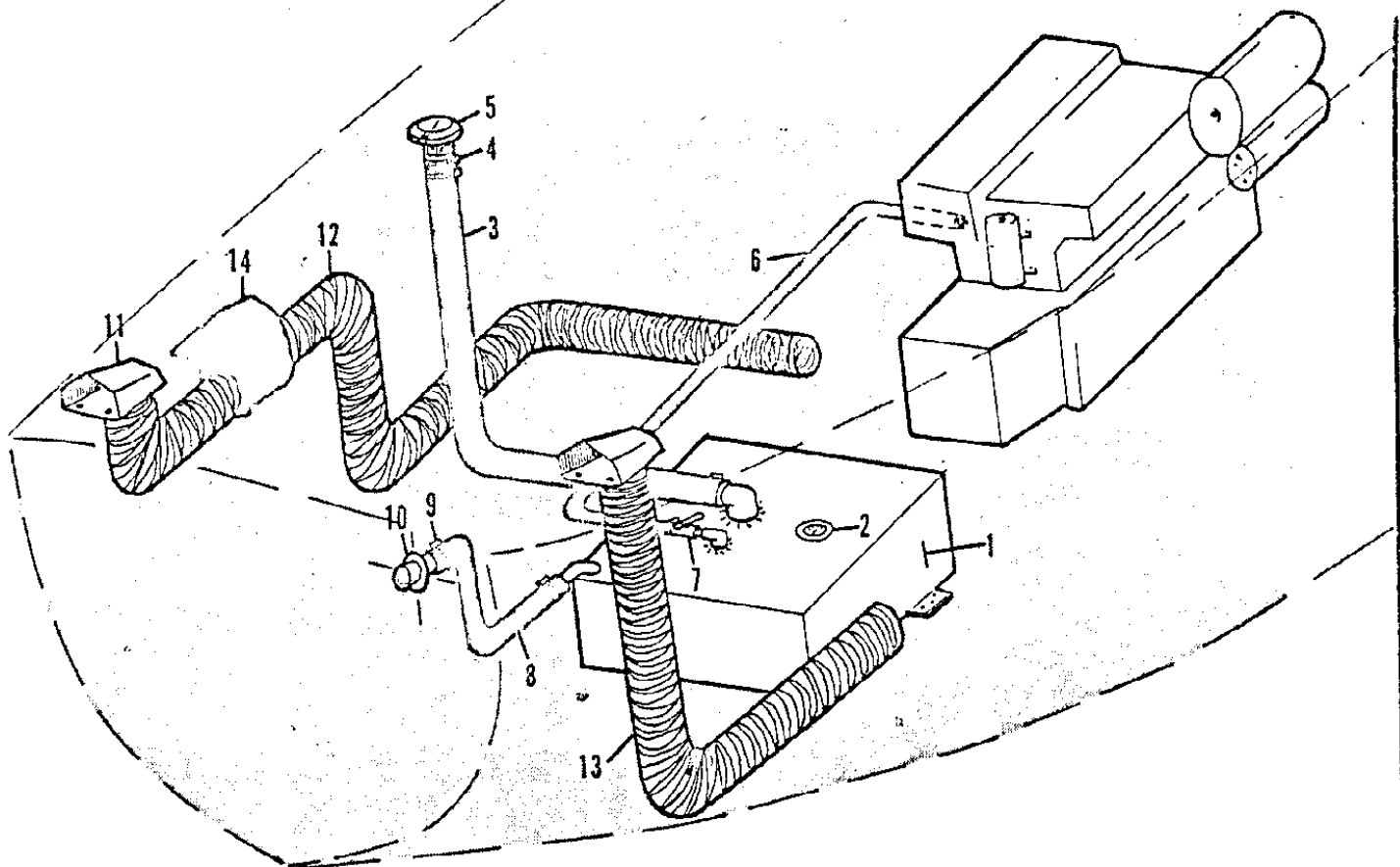
REF.	PART NUMBER	DESCRIPTION	STD./OPT.
1	K 51 01 01 496	UNIVERSAL ATOMIC 4, 30 H.P., GASOLINE ENGINE	1
2	K 51 01 06 060	ENGINE MOUNT	4
	K 51 01 06F	FASTENER KIT: (2) 3/8"x2" LAG BOLT (2) 3/8" FLAT WASHER (2) 3/8" LOCK WASHER	4
3	K 51 01 07 100	ENGINE BED, HARDWOOD STRINGERS	1
4	K 51 01 09 496	COUPLING	1
	K 51 01 11 900	KEY	2
5	K 51 01 13 900	PROPELLER SHAFT, 1"x46 1/4", TOBIN BRONZE	1
6	K 51 01 15 160	STUFFING BOX, BRONZE	1
	K 51 01 16 013	FLAX, FOR STUFFING BOX PACKING 1/4" x 1/4"	1
7	K 51 01 17 335	STUFFING BOX HOSE, 1 1/2" I.D. x 3 1/2"	1
8	K 51 01 18 519	#32 HOSE CLAMP, S.S.	2
9	K 51 01 19 427	SHAFT LOG, FIBERGLASS	1
10	K 51 01 21 160	STRUT, BRONZE	1
11	K 51 01 23 505	12x7, R.H. 2 BLADE PROPELLER	1
12	K 51 01 27 340	PROPELLER CASTLE NUT W/COTTER PIN	1
		<u>WATER INTAKE SYSTEM</u>	
	K 51 01 35 335	INTAKE HOSE, 5/8" I.D. x 4'-0", TYPE A	1
	K 51 01 37 519	#8 HOSE CLAMP, S.S.	2
	K 51 01 39 330	5/8" BARB X 1/2" MPT COUPLER	1
	K 51 01 40 330	1/2" FPT T	1
	K 51 01 42 280	1/2" CLOSE NIPPLE	1
	K 51 01 41 515	1/2" GATE VALVE	1
	K 51 01 43 285	SHIM RING 1/2" PLYWOOD	1
	K 51 01 46 357	WATER INTAKE THRU HULL W/SCREEN	1
	K 51 01 46F	FASTENER KIT: (4) #6x5/8" SLOT. OHSMS, S.S.	1



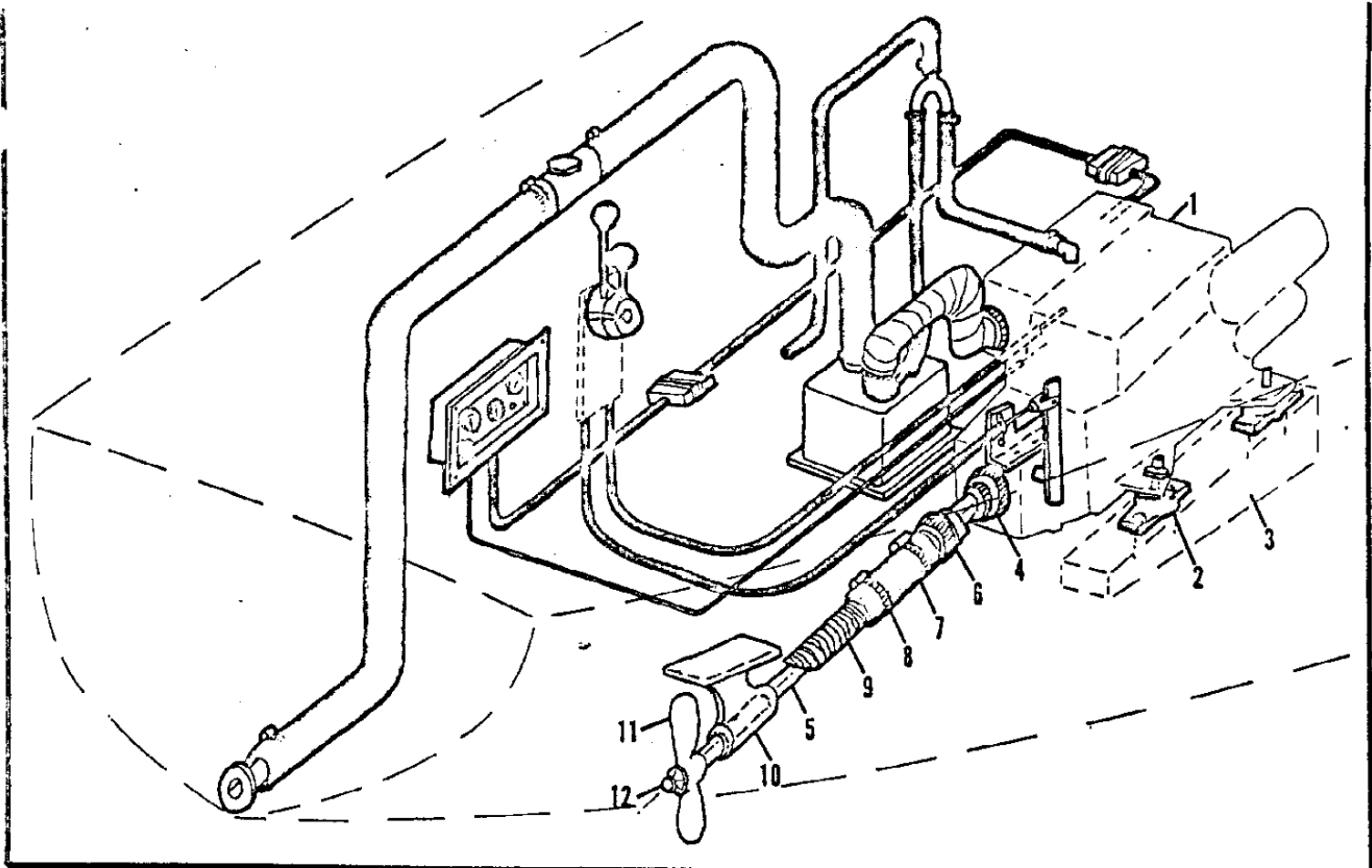
P.		PART NUMBER	DESCRIPTION	STD./OPT
MUFFLER AND EXHAUST ASSEMBLY				
1	K	51 01 50 100	EXHAUST MANIFOLD W/INSULATION WRAPPING	1
2	K	51 01 55 335	5/8" I.D.x7'-0", COOLING WATER DISCHARGE HOSE	1
	K	51 01 56 729	5/8" BARB x 3/8" MPT ELBOW	1
	K	51 01 58 729	3/8"x1/2" HEX BUSHING	1
3	K	51 01 57 519	#8 HOSE CLAMP, S.S.	6
4	K	51 01 59 910	ANTI-SIPHON VALVE	1
	K	51 01 60 295	CABLE TIE, WHITE NYLON	5
	K	51 01 60F	FASTENER KIT: (1) #6x1/2" PHIL. PHSMS, S.S.	5
5	K	51 01 61 100	AQUA LIFT MUFFLER, FIBERGLASS	1
	K	51 01 61F	FASTENER KIT: (4) #8x3/4" PHIL. PHSMS, S.S.	1
6	K	51 01 64 335	EXHAUST HOSE, 1 5/8" I.D.x22'-0" WIRE REINFORCED	1
7	K	51 01 65 519	#20 HOSE CLAMP, S.S.	6
8	K	51 01 62 515	1 1/4" CHECK VALVE	1
	K	51 01 63 900	1 1/4"x2" HALF THREADED NIPPLE	2
9	K	51 01 66 140	THRU HULL W/COLLAR	1
10	K	51 01 67 010	EXHAUST FLAP	1
	K	51 01 67F	FASTENER KIT: (1) #6-32x5/8" SLOT. RHMS, S.S. (1) #6 FLAT WASHER, S.S.	1
ENGINE CONTROLS				
11	K	51 01 88 215	CONTROL PANEL W/AMP, TEMPERATURE, OIL PRESSURE GAUGE	1
	K	51 01 88F	FASTENER KIT: (4) #6-32x1" SLOT. PHMS, S.S. (4) #6 FLAT WASHER, S.S. (4) #6 LOCK WASHER, S.S. (4) #6-32 HEX NUT, S.S.	1



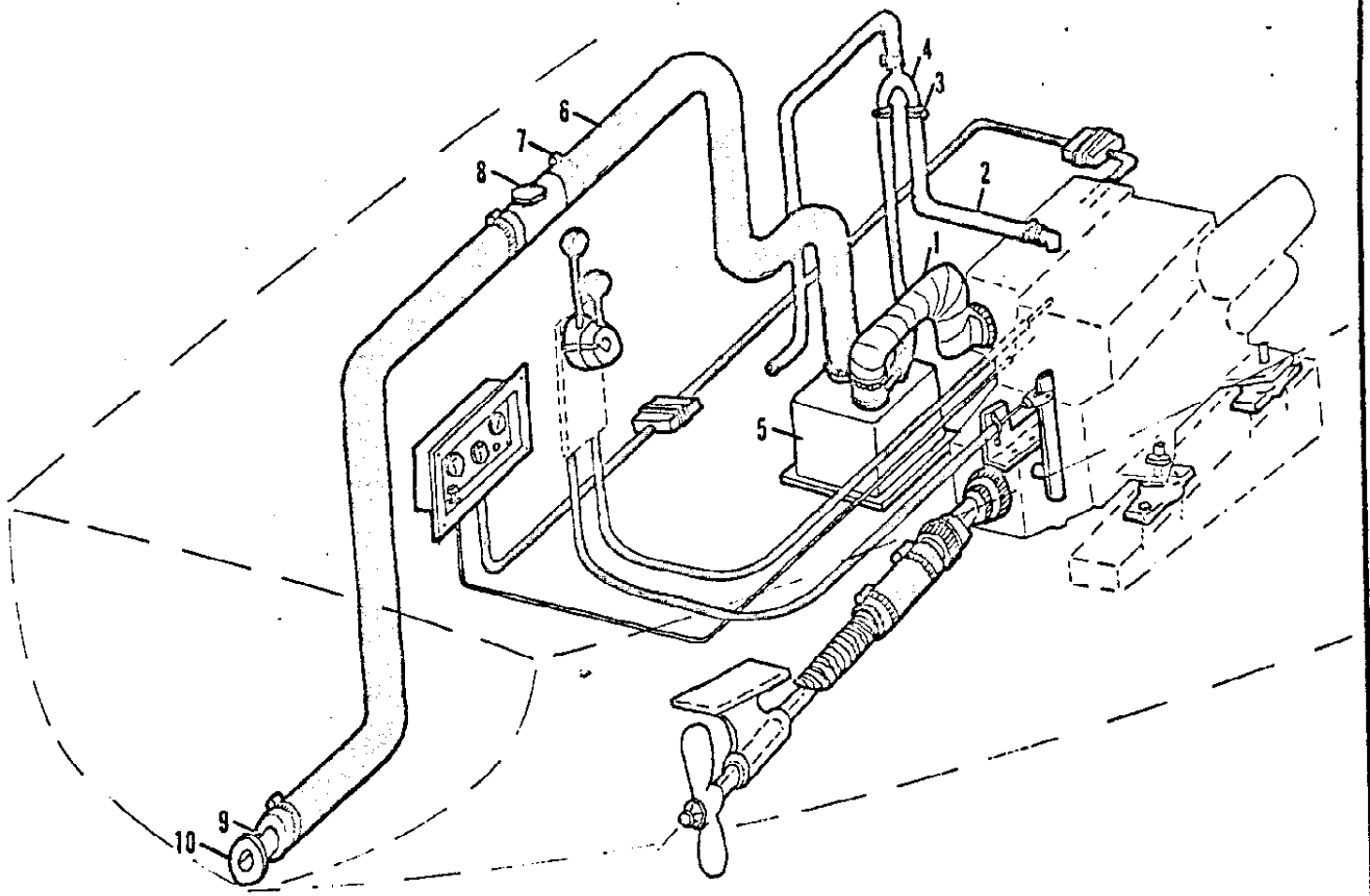
REF.	PART NUMBER	DESCRIPTION	STD./OPT.
1	K 51 01 89 100	CONTROL PANEL PAN, FIBERGLASS	1
	K 51 01 89F	FASTENER KIT: (4) #6-32x1" SLOT. PHMS, S.S. (4) #6 FLAT WASHER, S.S. (4) #6 LOCK WASHER, S.S. (4) #6-32 HEX NUT, S.S.	1
2	K 51 01 93 100	CONTROL PANEL COVER, FIBERGLASS	1
	K 51 01 93F	FASTENER KIT: (4) #6-32x2" SLOT. PHMS, S.S. (4) #6 FLAT WASHER, S.S. (4) #6 LOCK WASHER, S.S. (4) #6-32 HEX NUT, S.S.	1
3	K 51 01 90 770	ENGINE CONTROLS W/HANDLES, BRACKET AND CONNECTORS	1
	K 51 01 90F	FASTENER KIT: (4) 1/4"-20x2" SLOT. FHMS, S.S. (4) 1/4" FLAT WASHER, S.S. (4) 1/4" LOCK WASHER, S.S. (4) 1/4"-20 HEX NUT, S.S.	
4	K 51 01 95 513	THROTTLE CABLE	1
5	K 51 01 96 513	CLUTCH CABLE	1
6	K 51 01 97 513	CLUTCH CLEVIS	1
7	K 51 01 98 294	CHOKE CABLE	1
8	K 51 01 99 507	WIRE HARNESS	1
	K 51 01 103 215	OIL PRESSURE SENDER	1
	K 51 01 105 215	TEMPERATURE SENDER	1



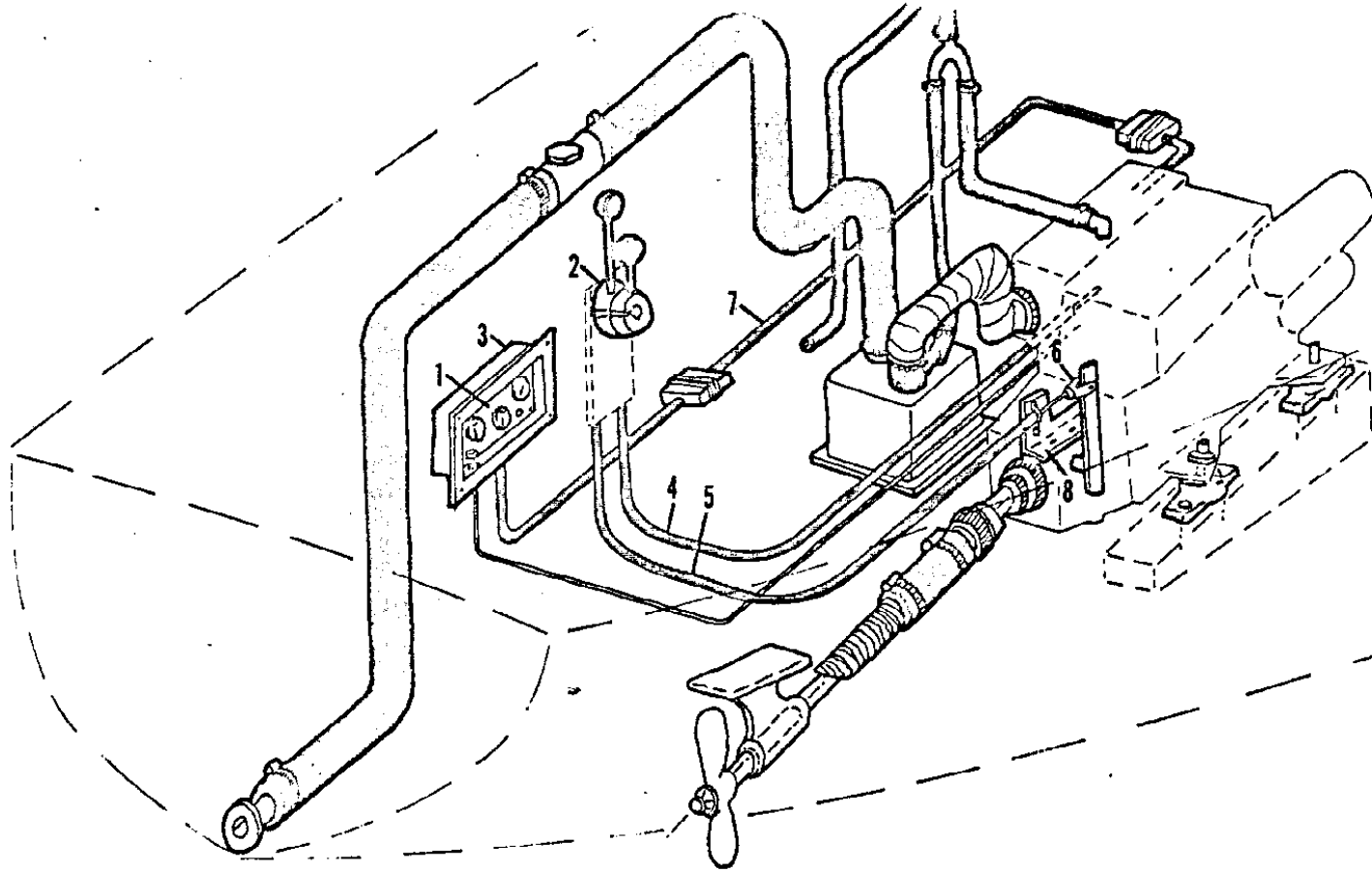
F.	PART NUMBER	DESCRIPTION	STD./OPT
1	K 51 01 75 729	FUEL TANK, 20 US GALLON CAPACITY	1
	K 51 01 75F	FASTENER KIT: (12) #8x3/4" PHIL. PHSMS, S.S.	1
2	K 51 01 76 729	FUEL LEVEL GAUGE	1
	K 51 01 76F	FASTENER KIT: (2) #4x3/8" PHIL. PHSMS, S.S.	1
3	K 51 01 77 335	FUEL FILL HOSE, 1 1/2" I.D.x8'-0", TYPE B	1
4	K 51 01 78 519	#20 HOSE CLAMP, S.S.	4
5	K 51 01 79 008	FUEL FILL DECK PLATE	1
	K 51 01 79F	FASTENER KIT: (3) #8x3/4" PHIL. PHSMS, S.S.	1
	K 51 01 80 097	GROUND WIRE, #6 GAUGE x 9'-0"	1
6	K 51 01 81 335	FUEL LINE, 3/8" I.D.x6'-0", TYPE A	1
	K 51 01 82 519	#6 HOSE CLAMP, S.S.	4
7	K 51 01 83 729	PET COCK	1
	K 51 01 84 729	ANTI-SIPHON VALVE	1
8	K 51 01 85 335	FUEL VENT HOSE, 5/8" I.D.x8'-0 , TYPE B	1
90	K 51 01 86 519	#8 HOSE CLAMP, S.S.	4
10	K 51 01 87 008	FUEL VENT, S.S.	1
VENTING			
11	K 51 01 69 260	ENGINE COMPARTMENT VENT, S.S.	2
	K 51 01 69F	FASTENER KIT: (3) #8x3/4" PHIL. PHSMS, S.S.	2
	K 51 01 70 519	#50 HOSE CLAMP, S.S.	2
12	K 51 01 71 480	VENT HOSE, WIRE REINFORCED, 3" I.D.x25'-0"	1
13	K 51 01 72 480	VENT HOSE, WIRE REINFORCED, 3" I.D.x15'-0"	1
14	K 51 01 73 140	BLOWER W/COLLAR	1
	K 51 01 73F	FASTENER KIT: (10) #8x3/4" PHIL. PHSMS, S.S.	1
	K 51 01 74 097	30'-0", #14 WIRING, FOR BLOWER	1
	K 51 01 00 100	UNIVERSAL ATOMIC 4 ENGINE INSTALLATION, COMPLETE	1



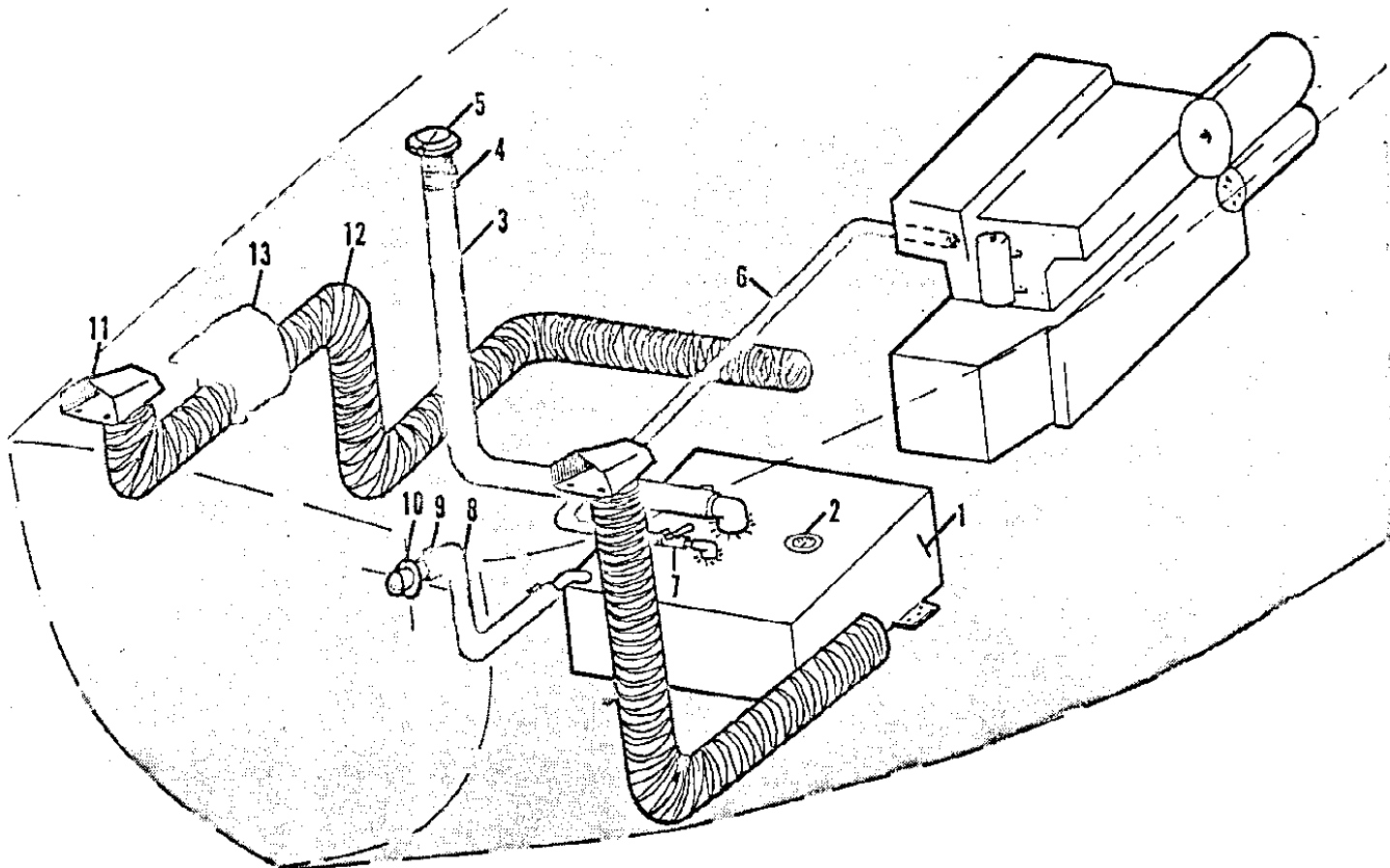
REF.	PART NUMBER	DESCRIPTION	STD./OPT
1	K 51 03 01 496	UNIVERSAL DIESEL #5411, 2 CYLINDER, 11 HP ENGINE	1
	K 51 03 03 900	ENGINE MOUNT BRACKET, FOR AFT MOUNTS	2
	K 51 03 03F	FASTENER KIT: (2) 1/2"-13x1 1/2" HHMB, S.S. (2) 1/2" LOCK WASHER, HEX NUT, S.S.	2
2	K 51 03 05 060	ENGINE MOUNT	4
	K 51 03 05F	FASTENER KIT: (2) 3/8"x2" LAG BOLT, S.S. (2) 3/8" FLAT, LOCK WASHER, S.S.	4
3	K 51 03 07 100	ENGINE BED, HARDWOOD STRINGERS	1
4	K 51 03 09 496	COUPLING	1
	K 51 03 11 900	KEY	2
5	K 51 03 13 900	PROPELLER SHAFT, 1"x57", TOBIN BRONZE	1
6	K 51 03 15 160	STUFFING BOX	1
	K 51 03 16 013	FLAX, FOR STUFFING BOX PACKING 1/4" x 1/4"	1
7	K 51 03 17 335	STUFFING BOX HOSE, 1 1/2" I.D.x3 1/2"	1
8	K 51 03 18 519	#32 HOSE CLAMP, S.S.	2
9	K 51 03 19 427	SHAFT LOG, FIBERGLASS	1
10.	K 51 03 21 160	STRUT	1
11	K 51 03 23 505	PROPELLER, 12x11, RH, 2 BLADE	1
12	K 51 03 27 340	PROPELLER CASTLE NUT W/COTTER PIN	1
		<u>WATER INTAKE SYSTEM</u>	
	K 51 03 31 357	WATER INTAKE THRU HULL W/SCREEN	1
	K 51 03 33 285	SHIM RING 1/2" PLYWOOD	1
	K 51 03 35 515	1/2" GATE VALVE	1
	K 51 03 37 280	1/2" CLOSE NIPPLE	1
	K 51 03 39 330	1/2" FPT T	1
	K 51 03 41 330	1/2" MPTx5/8" BARB COUPLER	1
	K 51 03 45 335	INTAKE HOSE, 5/8" I.D.x4'-0", TYPE A	1
	K 51 03 47 519	#8 HOSE CLAMP, S.S.	4



REF.	PART NUMBER	DESCRIPTION	STD./OPT
MUFFLER AND EXHAUST ASSEMBLY			
1	K 51 03 50 100	EXHAUST MANIFOLD W/INSULATION WRAPPING	1
2	K 51 03 51 335	5/8" I.D.x6'-0", EXHAUST MANIFOLD COOLING WATER HOSE	1
3	K 51 03 53 519	#8 HOSE CLAMP, S.S.	1
4	K 51 03 58 910	ANTI-SIPHON VALVE	6
	K 51 03 52 295	CABLE TIE, WHITE NYLON	1
	K 51 03 52F	FASTENER KIT: (1) #6x1/2" PHIL. PHSMS, S.S.	5
5	K 51 03 56 100	AQUA LIFT MUFFLER, FIBERGLASS	5
	K 51 03 56F	FASTENER KIT: (4) #8x3/4" PHIL. PHSMS, S.S.	1
6	K 51 03 54 335	EXHAUST HOSE, 1 5/8" I.D.x22'-0" WIRE REINFORCED	1
7	K 51 03 55 519	#20 HOSE CLAMP, S.S.	1
8	K 51 03 57 515	1 1/2" CHECK VALVE	6
	K 51 03 59 900	1 1/2"x2" HALF THREADED NIPPLE	1
9	K 51 03 61 140	THRU HULL W/COLLAR	2
10	K 51 03 62 010	EXHAUST FLAP	1
	K 51 03 62F	FASTENER KIT: (1) #6-32x5/8" SLOT. RHMS, S.S. (1) #6 FLAT WASHER, S.S.	1



REF.	PART NUMBER	DESCRIPTION	STD./OPT.
ENGINE CONTROLS			
1	K 51 03 89 496 K 51 03 89F	CONTROL PANEL W/GAUGES FASTENER KIT: (4) #6-32x1" SLOT. PHMS, S.S. (4) #6 FLAT WASHER, S.S. (4) #6 LOCK WASHER, S.S. (4) #6-32 HEX NUT, S.S.	1 1
2	K 51 03 91 770 K 51 03 91F	ENGINE CONTROLS W/HANDLES, BRACKET FASTENER KIT: (4) 1/4"-20x2" SLOT. FHMS, S.S. (4) 1/4" FLAT WASHER, S.S. (4) 1/4" LOCK WASHER, S.S. (4) 1/4"-20 HEX NUT, S.S.	1 1
3	K 51 03 94 100 K 51 03 94F	ENGINE CONTROL COVER, FIBERGLASS FASTENER KIT: (4) #6-32x1" SLOT. PHMS, S.S. (4) #6 FLAT WASHER, S.S. (4) #6 LOCK WASHER, S.S. (4) #6-32 HEX NUT, S.S.	1 1
4	K 51 03 95 513	THROTTLE CABLE	1
5	K 51 03 96 513	CLUTCH CABLE	1
6	K 51 03 97 513	CLUTCH CLEVIS	1
7	K 51 03 98 219	WIRE HARNESS	1
8	K 51 03 99 900 K 51 03 99F	SHIFT CABLE BRACKET FASTENER KIT: (4) #8x1" SLOT. OHSMS, S.S.. (4) #8 FLAT WASHER, S.S. (4) #8 LOCK WASHER, S.S. (4) #8-32 HEX NUT, S.S.	1 1 1



F. PART NUMBER	DESCRIPTION	STD./OPT.
FUEL TANK AND FUEL LINE		
1	K 51 03 69 729 FUEL TANK, 20 U.S. GALLON CAPACITY	1
	K 51 03 69F FASTENER KIT: (12) #8x3/4" PHIL. PHSMS, S.S.	1
2	K 51 03 70 729 FUEL LEVEL GAUGE	1
	K 51 03 70F FASTENER KIT: (2) #4x3/8" PHIL. PHSMS, S.S.	1
3	K 51 03 71 225 FUEL FILL HOSE, 1 1/2" I.D.x 8'-0", TYPE B	1
4	K 51 03 72 519 #20 HOSE CLAMP, S.S.	4
5	K 51 03 73 008 FUEL FILL DECK PLATE	1
	K 51 03 73F FASTENER KIT: (3) #8x3/4" PHIL. PHSMS, S.S.	1
	K 51 03 75 097 GROUND WIRE, #6 GAUGE x 9'-0"	1
6	K 51 03 76 335 FUEL LINE, 1/4" I.D.x 18'-0", TYPE A	1
	K 51 03 77 519 #6 HOSE CLAMP, S.S.	6
	K 51 03 79 900 RETURN T	1
7	K 51 03 81 729 PET COCK	1
	K 51 03 83 729 ANTI-SIPHON VALVE	1
8	K 51 03 84 335 FUEL VENT HOSE, 5/8" I.D.x 9'-0", TYPE B	1
9	K 51 03 86 519 #8 HOSE CLAMP, S.S.	2
10	K 51 03 87 008 FUEL OVERFILL VENT	1
VENTING		
11	K 51 03 64 260 ENGINE COMPARTMENT VENT, S.S.	2
	K 51 03 64F FASTENER KIT: (3) #8x3/4" PHIL. PHSMS, S.S.	2
	K 51 03 65 519 #50 HOSE CLAMP, S.S.	2
12	K 51 03 66 480 VENT HOSE, WIRE REINFORCED, 3" I.D.x 25'-0"	2
13	K 51 03 67 140 BLOWER W/COLLAR	1
	K 51 03 67F FASTENER KIT: (3) #8x3/4" PHIL. PHSMS, S.S.	1
	K 51 03 74 097 30'-0", #14 WIRING, FOR BLOWER	1
	K 51 03 00 100 UNIVERSAL DIESEL #5411 ENGINE INSTALLATION, COMPLETE	1