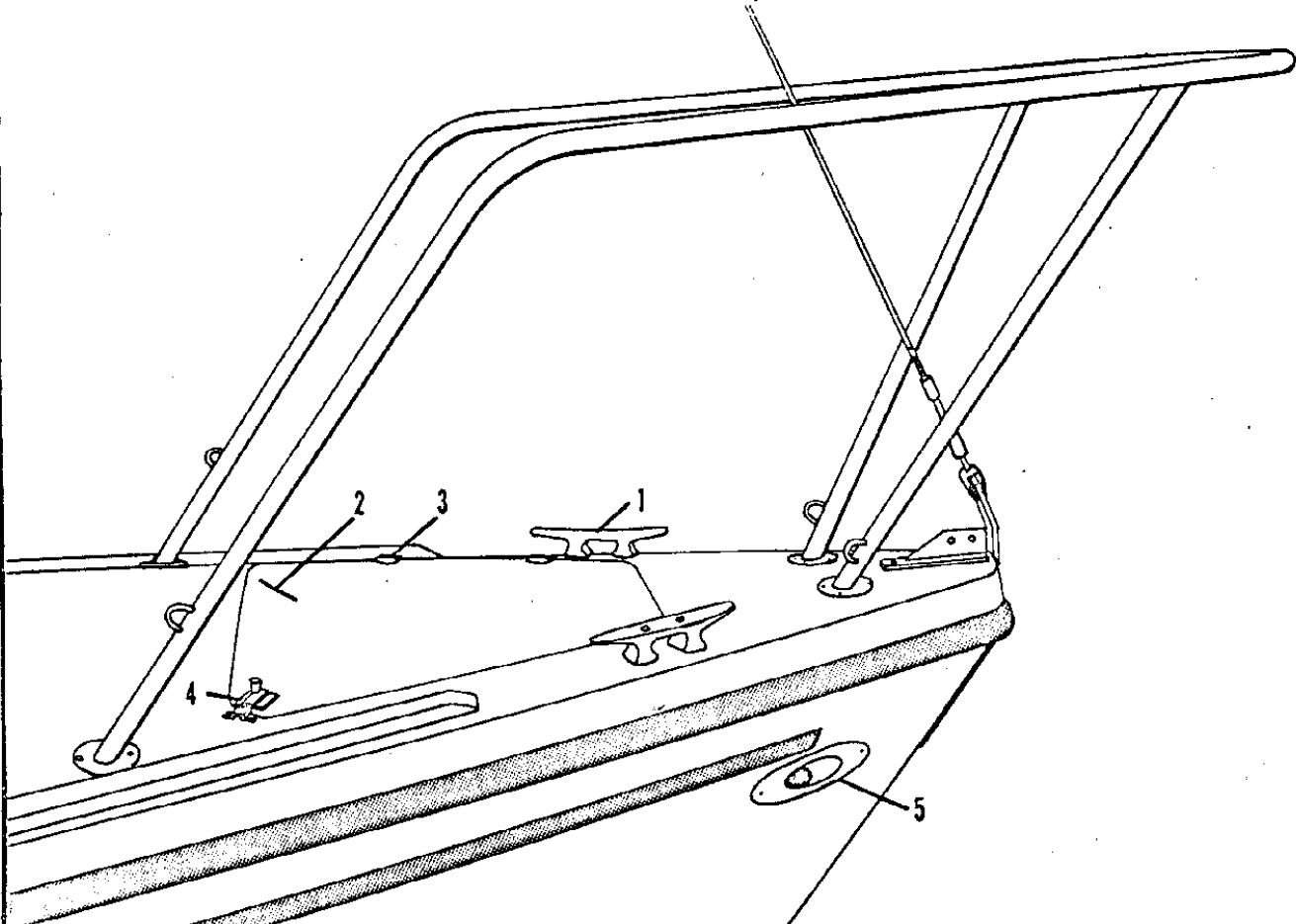
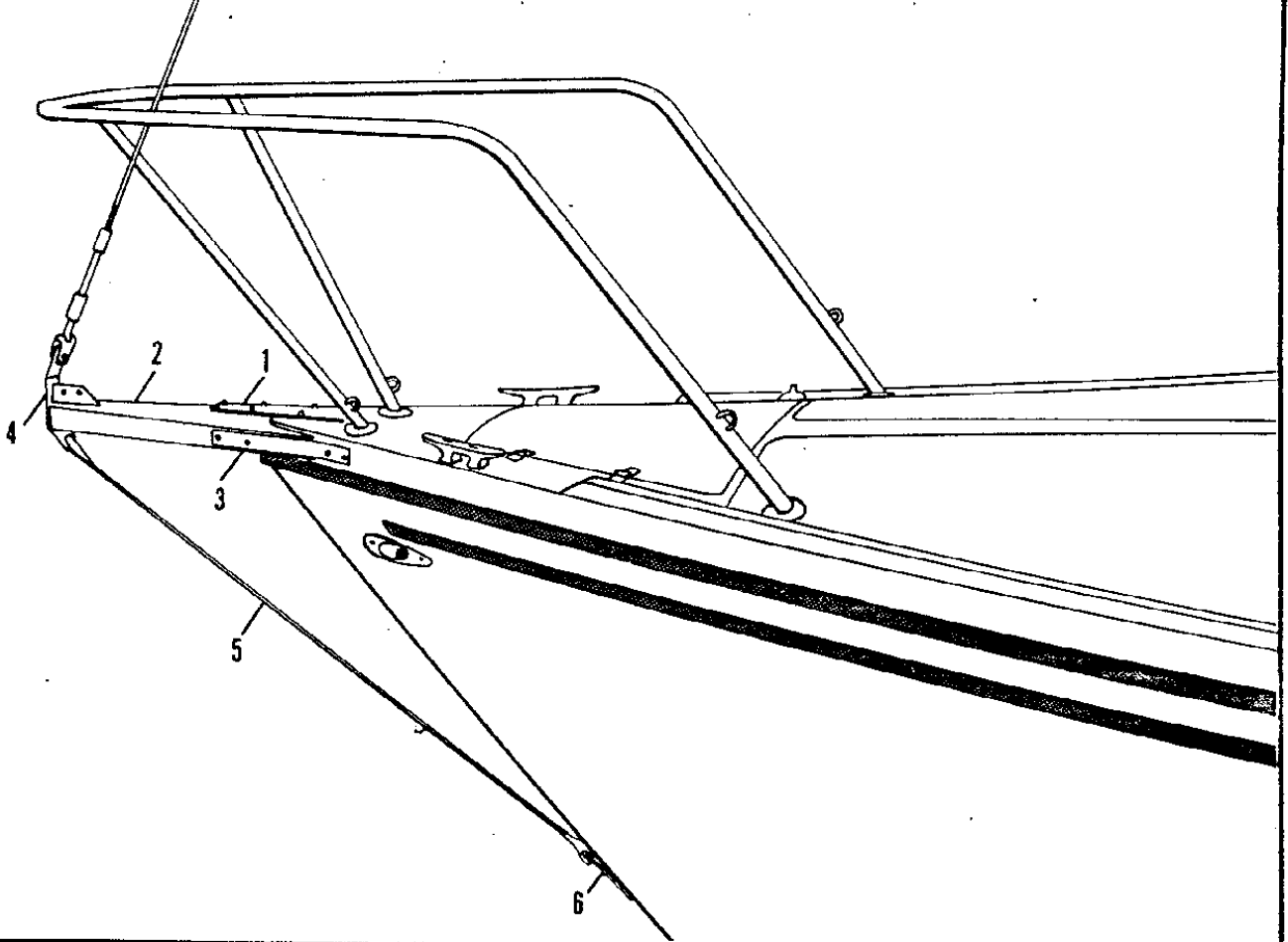


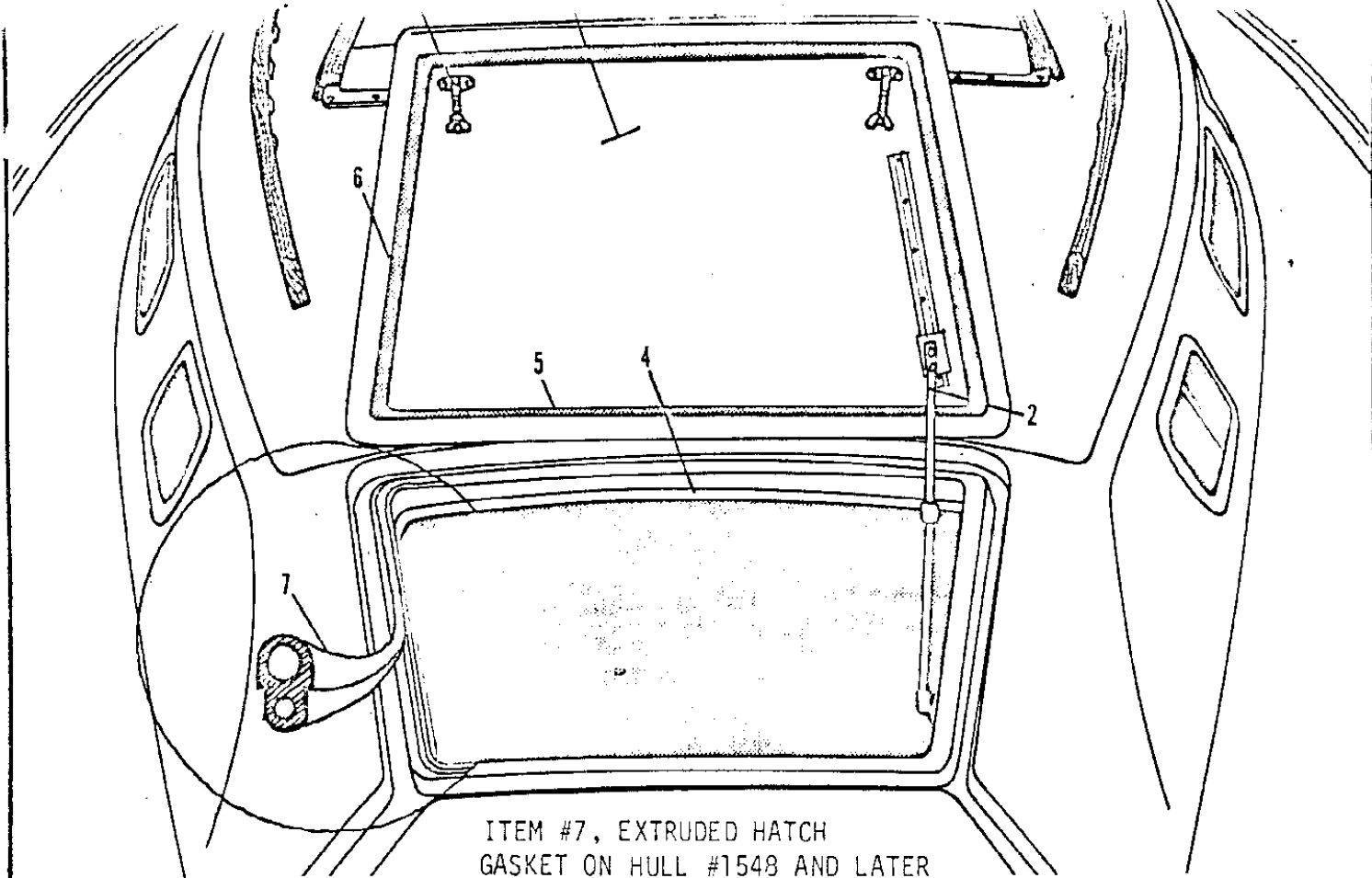
REF.	PART NUMBER	DESCRIPTION	STD./OPT.
1	K-22 08 01 900	BOW PLATE, S.S.	1
	K 22 08 03 900	BACK UP PLATE, S.S.	1
	K 22 08 01-03F	FASTENER KIT: (2) 5/16" - 18 x 2" SLOT. HHMB, S.S.	1
		(1) 5/16" - 18 x 2" SLOT. FHMS, S.S.	
		(1) 5/16" - 18 x 2" SLOT. RHMS, S.S.	
		(22) 5/16" FLAT WASHER, S.S.	
		(4) 5/16" LOCK WASHER, S.S.	
		(4) 5/16" - 18 HEX NUT, S.S.	
2	K 28 03 03 610	SINGLE RAIL SINGLE LIFELINE BOW PULPIT, S.S.	1
	K 28 05 05 610	DOUBLE RAIL DOUBLE LIFELINE BOW PULPIT, S.S.	1
	K 28 05 04 610	DOUBLE RAIL DOUBLE LIFELINE BOW PULPIT, FOR BOW SPRIT OPTION, S.S.	1
	K 28 05 03-04F	FASTENER KIT: (12) 1/4" -20 x 2 1/4" SLOT. RHMS, S.S.	1
		(12) 1/4" FLAT WASHER, S.S.	
		(12) 1/4" LOCK WASHER, S.S.	
		(12) 1/4" - 20 HEX NUT, S.S.	
3	K 28 03 11 900	1/4" - 20 LIFELINE TURNBUCKLE, S.S.	2
4	K 28 03 13 740	1/4" - 20 LOCK NUT, FOR LIFELINE TURNBUCKLE	2
5	K 26 15 00 620	COWL VENT W/FLANGE AND CAP, VINYL	1
	K 26 15 00F	FASTENER KIT: (3) #8x3/4" PHIL. PHSMS, S.S.	1



	F. PART NUMBER	DESCRIPTION	STD./OPT.
1	K 24 09 01 760	8" MOORING CLEAT	2
	K 24 09 01F	FASTENER KIT: (2) 5/16"-18x3 1/2" SLOT, FHMS. S.S.	2
		(2) 5/16" FLAT WASHER, S.S.	
		(2) 5/16" LOCK WASHER, S.S.	
		(2) 5/16"-18 HEX NUT, S.S.	
	K 26 00 00 100	ANCHOR LOCKER HATCH ASSEMBLY, COMPLETE	1
2	K 26 00 01 100	ANCHOR LOCKER HATCH COVER, FIBERGLASS	1
3	K 26 00 03 049	HINGE	2
	K 26 00 03F	FASTENER KIT: (2) #10x3/4" SLOT. OHSMS, S.S.	2
		(3) #10x3/4" SLOT. OHMS, S.S.	
		(3) #10 FLAT WASHER, S.S.	
		(3) #10 LOCK WASHER, S.S.	
		(3) #10-24 HEX NUT, S.S.	
4	K 26 00 05 630	HATCH BOLT	1
	K 26 00 05F	FASTENER KIT: (2) #8x5/8" SLOT. OHSMS, S.S.	1
		(4) #8-32x1/2" SLOT. PHMS, S.S.	
		(4) #8 FLAT WASHER, S.S.	
		(4) #8-32 HEX NUT, S.S.	
	K 26 00 07 920	GASKET TAPE, 1/4" x 3/4" x 7'-0"	1
	K 26 00 09 900	ANCHOR LOCKER DRAIN, BRASS TUBE	1
5	K 74 01 01 497	STARBOARD RUNNING LIGHT, GREEN	1
	K 74 01 03 497	PORT RUNNING LIGHT, RED	1
	K 74 01 01-03F	FASTENER KIT: (2) #10 x 3/4" SLOT. OHSMS, S.S.	2
	K 74 01 05 100	RUNNING LIGHT COVER, FIBERGLASS (INSIDE ANCHOR LOCKER)	2
	K 74 01 05F	FASTENER KIT: (2) #8x3/4" SLOT. OHSMS, S.S.	2

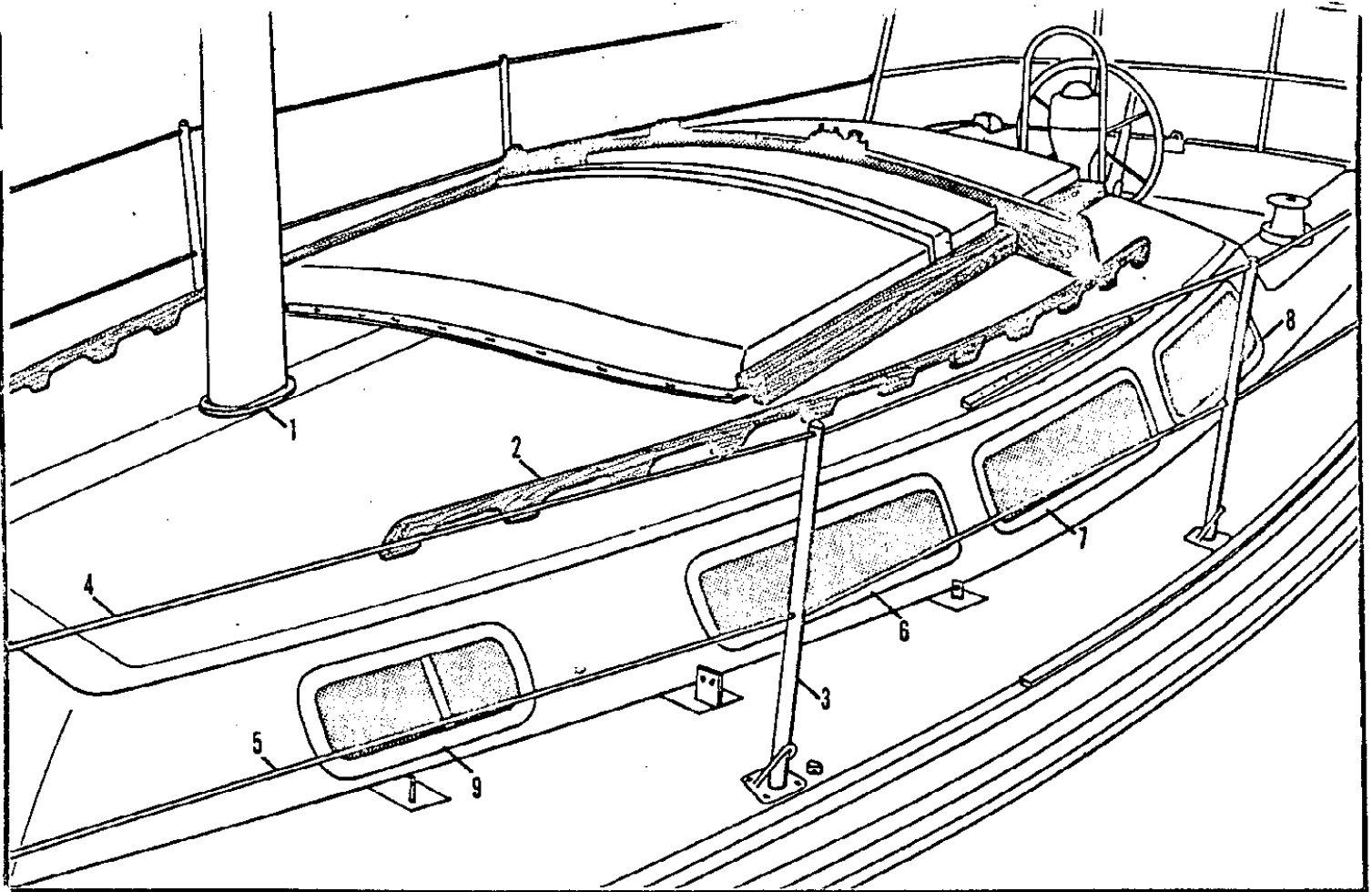


REF.	PART NUMBER	DESCRIPTION	STD./OPT.
	K 38 01 01 100	BOW SPRIT ASSEMBLY, COMPLETE	1
1	K 38 01 02 900	BOW SPRIT DECK PLATE, S.S.	1
	K 38 01 03 285	BOW SPRIT SHIM, TEAK	1
2	K 38 01 05 285	BOW SPRIT, TEAK	1
	K 38 01 07 900	BOW SPRIT BACK UP PLATE, S.S.(INSIDE HULL)	1
	K 38 01 02-07F	FASTENER KIT: (6) 3/8"-16x3 1/2" HHMB, S.S. (6) 3/8" FLAT, LOCK WASHER, S.S. (6) 3/8"-16 HEX NUT, S.S.	1
3	K 38 01 09 900	BOW SPRIT STRAP, S.S.	2
	K 38 01 09F	FASTENER KIT: (2) 5/16"x1 1/4" LAG BOLT, S.S. (1) 3/8"x9" THREAD, S.S. (4) 3/8"-16x4" HHMB, S.S. (20) 3/8" FLAT WASHER, S.S. (4) 3/8" LOCK WASHER, S.S. (4) 3/8"-16 HEX NUT, S.S.	1
4	K 38 01 11 900	BOWPLATE W/2 TANGS, S.S.	1
	K 38 01 11F	FASTENER KIT: (3) 3/8"-16x3" HHMB, S.S. (3) 3/8" FLAT, LOCK WASHER, S.S. (3) 3/8"-16 HEX NUT, S.S.	1
5	K 38 01 13 100	BOBSTAY W/2 FORKS, 1x19, 1/4"x56", S.S.	1
	K 38 01 15 900	3/8" x 1" RH CLEVIS PIN, S.S. FOR BOBSTAY	2
	K 38 01 17 740	3/16" x 1 1/4" COTTER PIN, S.S. FOR CLEVIS PIN	2
6	K 38 01 19 900	BOBSTAY HULL TANG, S.S.	1
	K 38 01 21 100	SHIM, TEAK	1
	K 38 01 23 900	BACK-UP PLATE, S.S.	1
	K 38 01 21-23F	FASTENER KIT: (2) 3/8"-16x3" HHMB, S.S. (2) 3/8" FLAT, LOCK WASHER, S.S. (2) 3/8"-16 HEX NUT, S.S.	1

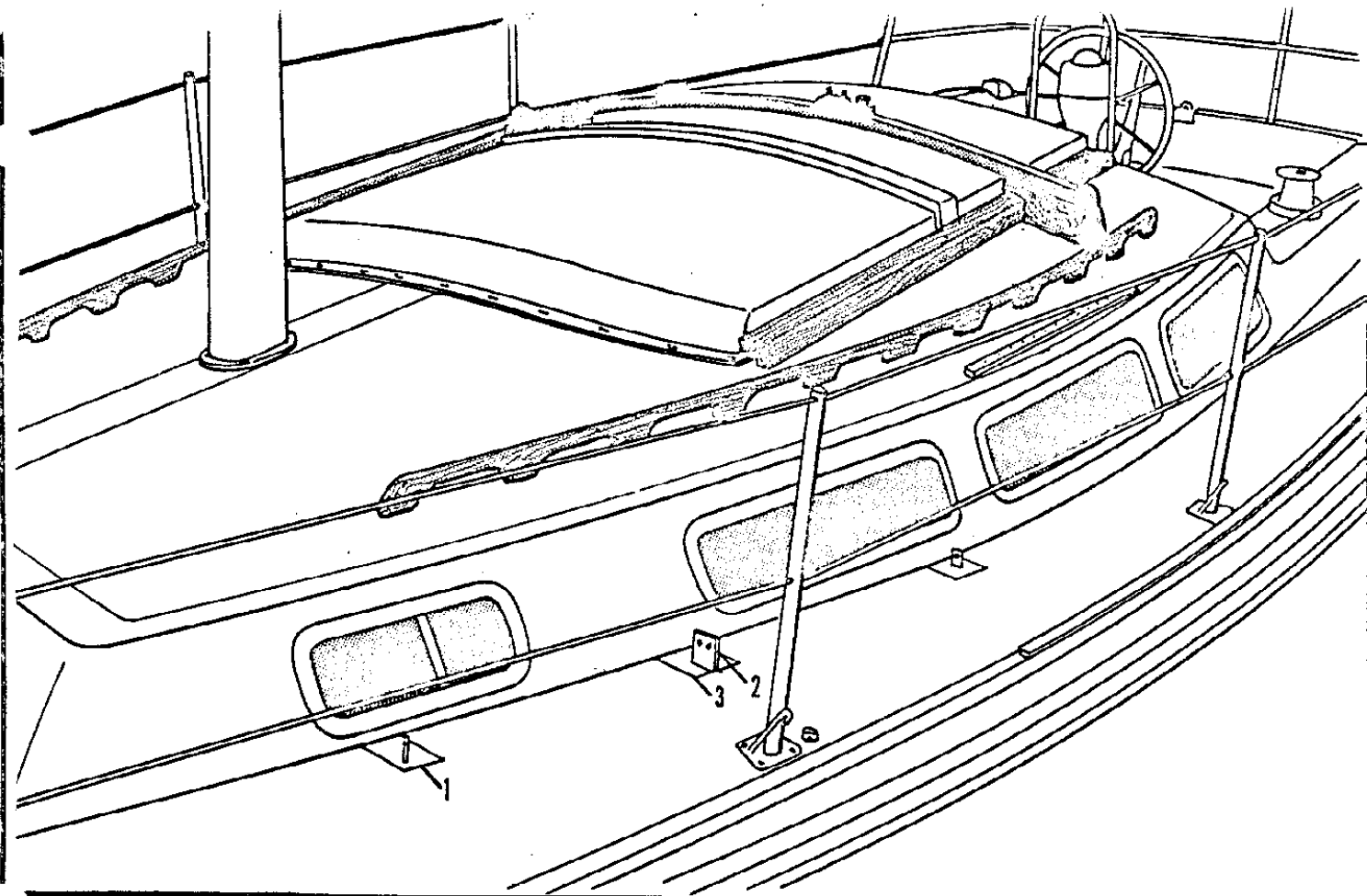


ITEM #7, EXTRUDED HATCH
GASKET ON HULL #1548 AND LATER

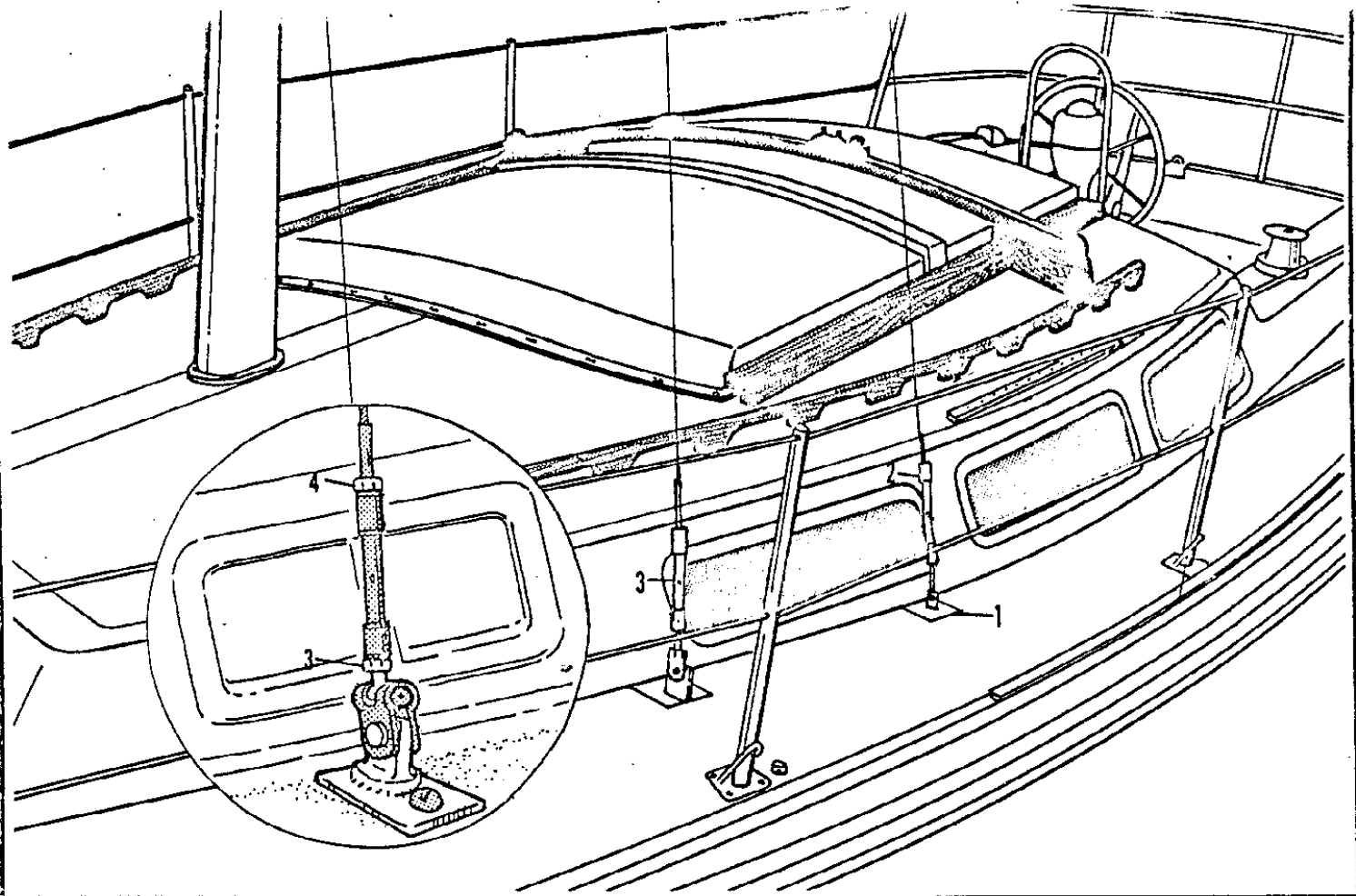
P. PART NUMBER		DESCRIPTION	STD./OPT.
1	K 26 01 01 100	FORWARD HATCH COVER, FIBERGLASS	1
	K 26 01 07 008	HINGE	2
	K 26 01 07F	FASTENER KIT: (4) #10x3/4" SLOT. OHSMS, S.S. (2) #10-24x1 1/4" SLOT. OHMS, S.S. (2) #10 FLAT WASHER, S.S. (2) #10 LOCK WASHER, S.S. (2) #10-24 HEX NUT, S.S.	2
2	K 26 01 05 497	HATCH ADJUSTER	1
	K 26 01 05F	FASTENER KIT: (2) #10x1" PHIL. PHSMS, S.S. (2) #8-32x1" SLOT. FHMS, S.S. (2) #8 FINISH WASHER, S.S. (2) #8 FLAT WASHER, S.S. (2) #8 LOCK WASHER, S.S. (2) #8-32 HEX NUT, S.S.	1
	K 26 01 11 493	HATCH DOG PLATE, S.S.	2
	K 26 01 11F	FASTENER KIT: (3) #8x3/4" PHIL. PHSMS, S.S.	2
3	K 26 01 09 613	HATCH DOG, CHROME PLATED	2
	K 26 01 09F	FASTENER KIT: (2) #8-32x3/4" SLOT. FHMS, S.S. (2) #8 FINISH WASHER, S.S. (2) #8 FLAT WASHER, S.S. (2) #8 LOCK WASHER, S.S. (2) #8-32 HEX NUT, S.S.	2
4	K 26 01 03 012	MOLDING TRIM, WHITE VINYL, 78"	1
	K 26 01 03F	FASTENER KIT: (16) #8x3/4" PHIL. PHSMS, S.S.	1
	K 26 01 13 920	GASKET TAPE, 1/4" x 3/4" x 5'-0"	1
6	K 26 01 14 920	GASKET TAPE, 3/16" x 3/8" x 2'-6"	1
	K 26 01 15 100	EXTRUDED HATCH GASKET, BLACK RUBBER 7'-6"	1



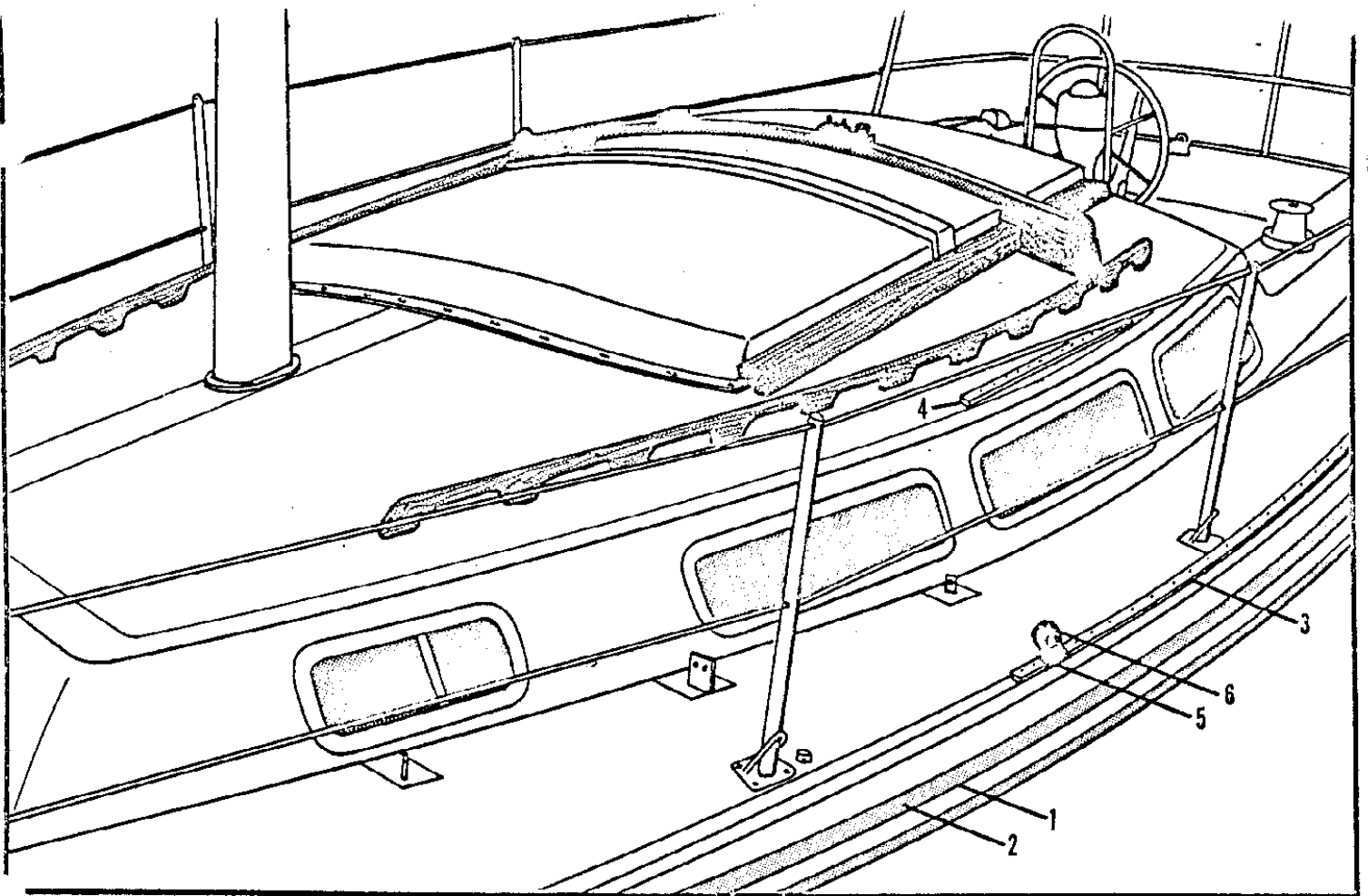
REF.	PART NUMBER	DESCRIPTION	STD./OPT.
1	K 24 06 00 900	MAST STEP, ALUMINUM CASTING	1
	K 24 06 00F	FASTENER KIT: (4) 5/16"x1 1/4" LAG BOLT, S.S.	1
2	K 24 11 00 285	TEAK HANDRAIL, 8'-6"	2
	K 24 11 00F	FASTENER KIT: (10) #10x2" SLOT. RHMS, S.S. (10) #10 FINISH WASHER, S.S.	2
3	K 28 05 05 610	DOUBLE LIFELINE STANCHION, S.S.	8
	K 28 03 05 610	SINGLE LIFELINE STANCHION, S.S.	8
	K 28 03 05F	FASTENER KIT: (4) 1/4"-20x2" SLOT. RHMS, S.S. (4) 1/4" FLAT, LOCK WASHER, S.S. (4) 1/4"-20 HEX NUT, S.S.	8
4	K 28 05 09 100	UPPER LIFELINE, FOR DOUBLE LIFELINE OPTION	2
5	K 28 05 10 100	LOWER LIFELINE, FOR DOUBLE LIFELINE OPTION	2
	K 28 03 09 100	SINGLE LIFELINE, FOR SINGLE LIFELINE OPTION	2
	K 28 03 00 100	SINGLE RAIL BOW AND STERN PULPIT W/LIFELINES, STANCHIONS	1
	K 28 05 00 100	DOUBLE RAIL BOW AND STERN PULPIT W/LIFELINES, STANCHIONS	1
	K 26 13 01 460	FORWARD, PORT WINDOW W/FRAME	1
	K 26 13 03 460	FORWARD, STARBOARD WINDOW W/FRAME	1
6	K 26 13 04 460	2nd PORT WINDOW W/FRAME	1
	K 26 13 06 460	2nd STARBOARD WINDOW W/FRAME	1
7	K 26 13 08 460	3rd PORT WINDOW W/FRAME	1
	K 26 13 10 460	3rd STARBOARD WINDOW W/FRAME	1
8	K 26 13 11 460	AFT, PORT WINDOW W/FRAME	1
	K 26 13 12 390	AFT, STARBOARD WINDOW W/FRAME	1
	K 26 13 01-12F	FASTENER KIT: (15) #8x3/4" PHIL. PHSMS, S.S.	8
	K 26 13 00 460	COMPLETE SET OF FIXED WINDOWS	1
9	K 26 14 00 460	OPENING WINDOW IN HEAD, PORT SIDE	1
	K 26 14 00F	FASTENER KIT: (12) #8x3/4" PHIL. PHSMS, S.S.	1



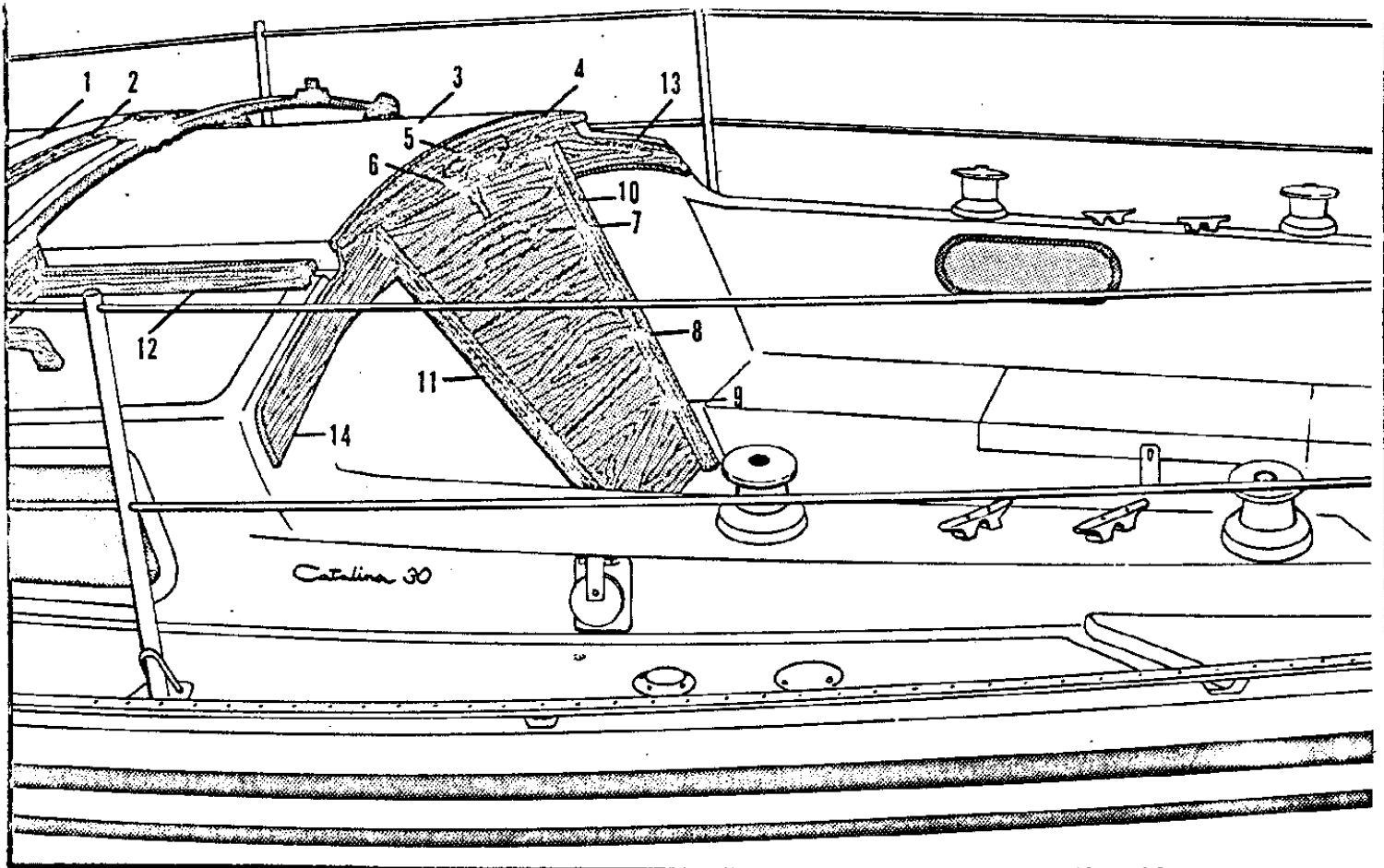
QTY.	PART NUMBER	DESCRIPTION	STD./OPT.
1	K 22 10 02 255	PORT FORWARD LOWER 1/2"-13x2" CHAINPLATE EYEBOLT W/WELDED BASE, S.S.	1
	K 22 10 01 255	STARBOARD FORWARD LOWER 1/2"-13x2" CHAINPLATE EYEBOLT W/WELDED BASE, S.S.	1
	K 22 10 03 900	2"x3"x12" ANGLE, BROWN ANODIZED ALUMINUM (BELOW DECK)	2
	K 22 10 01-06F	FASTENER KIT: (1) 1/2" LOCK WASHER, S.S. (1) 1/2"-13 HEX NUT, S.S. (1) 3/8"-16x2" SLOT. RHMS, S.S. (1) 3/8" FLAT WASHER, S.S. (1) 3/8" LOCK WASHER, S.S. (1) 3/8"-16 HEX NUT, S.S.	2
	K 22 10 09 285	3/8" x 2 1/4" x 18" TEAK COVER, FOR ALUMINUM ANGLE	2
	K 22 10 09F	FASTENER KIT: (2) #10 x 3/4" SLOT. OHSMS, S.S. (2) #10 FINISH WASHER, S.S.	2
2	K 22 09 01 900	PORT MAIN CHAINPLATE, S.S.	1
	K 22 09 02 900	STARBOARD MAIN CHAINPLATE, S.S.	1
3	K 22 09 03 900	MAIN CHAINPLATE COVER, S.S.	2
	K 22 09 01-03F	FASTENER KIT: (4) 3/8"-16x1 1/2" SLOT. RHMS, S.S. (4) 3/8" FLAT WASHER, S.S. (4) 3/8" LOCK WASHER, S.S. (4) 3/8"-16 HEX NUT, S.S. (2) 3/8"-16 x 2" SLOT. RHMS, S.S. (2) 3/8" FLAT WASHER, S.S. (2) 3/8" LOCK WASHER, S.S. (2) 3/8"-16 HEX NUT, S.S.	2



REF.	PART NUMBER	DESCRIPTION	STD./OPT.
1	K 22 10 09 255	PORT AFT LOWER 1/2"-13x2" CHAINPLATE EYEBOLT, S.S.	1
	K 22 10 07 255	STARBOARD AFT LOWER 1/2"-13x2" CHAINPLATE EYEBOLT	1
	K 22 10 11 255	2"x3"x5" STARBOARD AFT LOWER, UPPER ANGLE BRACKET	1
	K 22 10 12 255	2"x3"x5" PORT AFT LOWER, UPPER ANGLE BRACKET	1
	K 22 10 13 255	TEAK SHIM	2
	K 22 10 09-13F	FASTENER KIT: (1) 1/2" LOCK WASHER, S.S. (1) 1/2"-13 HEX NUT, S.S. (1) 3/8"-16x2" SLOT. RHMS, S.S. (1) 3/8" FLAT, LOCK WASHER, S.S. (1) 3/8"-16 HEX NUT, S.S. (3) 1/4"-20x1 1/2" SLOT. RHMS, S.S. (3) 1/4" FLAT, LOCK WASHER, S.S. (3) 1/4"-20 HEX NUT, S.S.	2
	K 22 10 15 255	2"x3"x5" AFT LOWER, LOWER ANGLE BRACKET	2
	K 22 10 15F	FASTENER KIT: (3) 1/4"-20x1 1/2" SLOT. RHMS, S.S. (3) 1/4" FLAT, LOCK WASHER, S.S. (3) 1/4"-20 HEX NUT, S.S. (2) 3/8"-16x2" SLOT. RHMS, S.S. (2) 3/8" FLAT, LOCK WASHER, S.S. (2) 3/8"-16 HEX NUT, S.S.	2
	K 22 09 05 615	EYEBOLT CAP, WHITE PLASTIC	20
2	K 32 10 00 900	5/16"-18 TURNBUCKLE, S.S., COMPLETE FOR LOWERS	4
3	K 32 10 03 740	5/16"-18 RIGHT HAND LOCK NUT, S.S.	4
4	K 32 10 05 740	5/16"-18 LEFT HAND LOCK NUT, S.S.	4
5	K 32 10 09 900	3/8"-16 TURNBUCKLE, S.S., FORESTAY, BACKSTAY, UPPERS	4
	K 32 10 11 740	3/8"-16 RIGHT HAND LOCK NUT, S.S.	4
	K 32 10 13 740	3/8"-16 LEFT HAND LOCK NUT, S.S.	4



REF.	PART NUMBER	DESCRIPTION	STD./OPT
1	K 22 02 01 105	ALUMINUM RUB RAIL, 3 LENGTHS PER BOAT, 67'-6"	3
	K 22 02 01F	FASTENER KIT: (70) #10x1" PHIL. PHSMS, S.S. NOTE: ONE FASTENER KIT PER SECTION	3
2	K 22 03 01 036	BROWN VINYL RUB RAIL INSERT, 67'-6"	1
	K 22 03 01F	FASTENER KIT: (2) #10 x 2" PHIL. PHSMS, S.S.	2
3	K 23 06 00 900	GENOA TRACK, 1" x 14'-0" T-TRACK, ALUMINUM	2
	K 23 06 00F	FASTENER KIT: (42) 1/4"-20x3" SLOT. FHMS, S.S. (42) 1/4" FLAT WASHER, S.S. (42) 1/4" LOCK WASHER, S.S. (42) 1/4"-20 HEX NUT, S.S. (1) #14 FINISH WASHER, S.S.	2
4	K 23 05 00 900	INBOARD JIB TRACK, 1"x2'-6" T-TRACK, ALUMINUM	2
	K 23 05 00F	FASTENER KIT: (8) 1/4"-20x3" SLOT. FHMS, S.S. (8) 1/4" FLAT WASHER, S.S. (8) 1/4" LOCK WASHER, S.S. (1) #14 FINISH WASHER, S.S.	
5	K 34 01 01 530	GENOA CAR, CHROME PLATED	4
	K 34 01 05 725	STAND UP SPRING, S.S.	4
6	K 34 01 03 725	GENOA SINGLE BLOCK	4



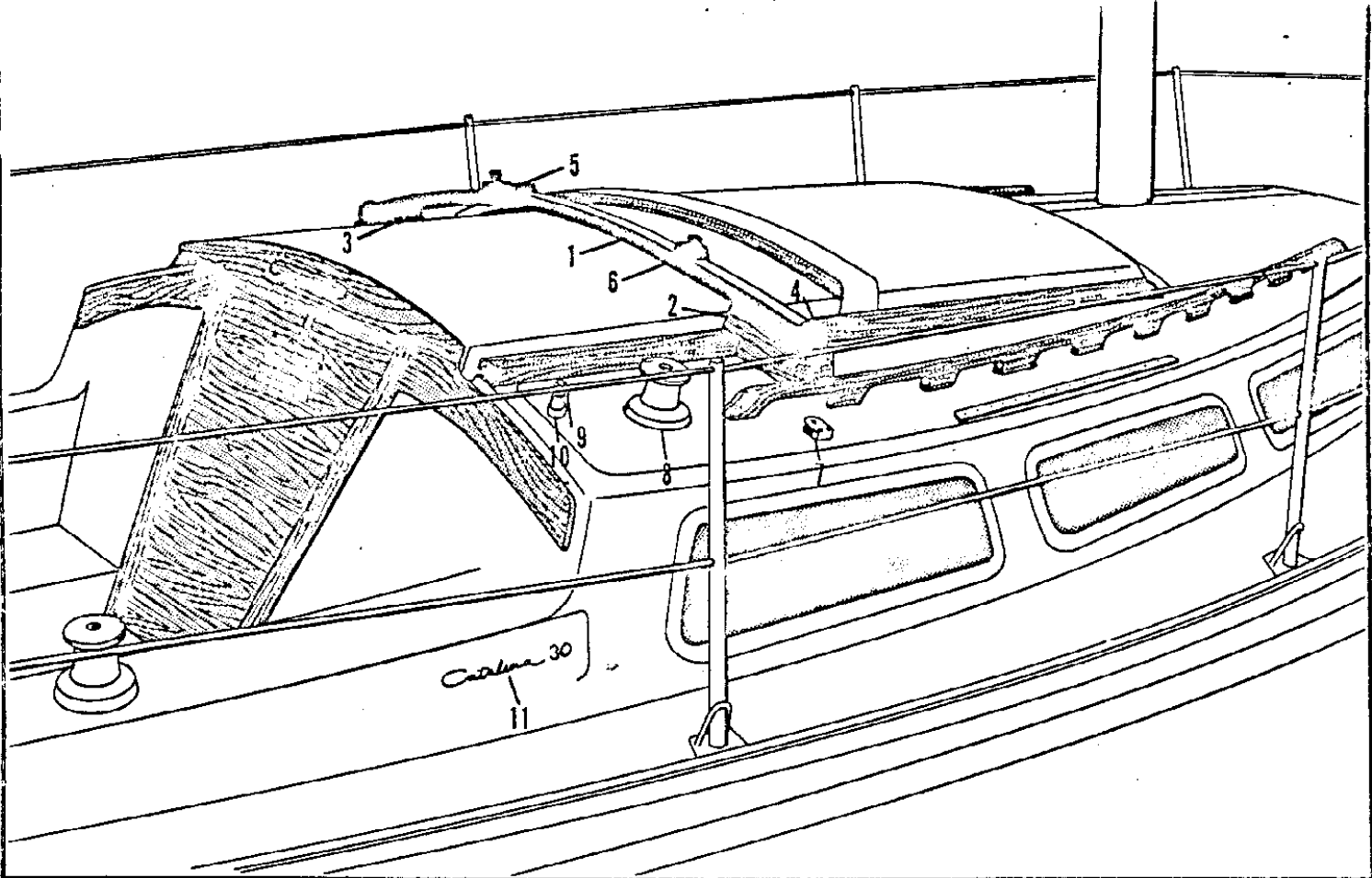
REF.	PART NUMBER	DESCRIPTION	STD./OPT.
	K-26 03 00 100	MAIN HATCH ASSEMBLY, COMPLETE	1
1	K 26 03 01 100	SEAHOOD, FIBERGLASS	1
	K 26 03 01F	FASTENER KIT: (12) #10x3/4" SLOT. OHSMS, S.S. (12) #10 FINISH WASHER, S.S.	1
2	K 26 03 02 285	TEAK TRIM FOR SEAHOOD	1
	K 26 03 02F	FASTENER KIT: (7) #8x 1 1/4" SLOT. OHSMS, S.S.	1
3	K 26 03 03 100	MAIN HATCH, FIBERGLASS	1
4	K 26 03 07 285	TEAK WEATHERBOARD	1
	K 26 03 07F	FASTENER KIT: (5) #10x3/4" SLOT. OHSMS, S.S. (5) #10 FINISH WASHER, S.S.	1
5	K 26 03 11 285	MAIN HATCH HANDLE, TEAK	1
	K 26 03 11F	FASTENER KIT: (2) #10x2" SLOT. OHSMS, S.S. (2) #10 FINISH WASHER, S.S.	1
6	K 26 03 09 497	HASP AND EYE, CHROME PLATED	1
	K 26 03 09F	FASTENER KIT: (8) #6x5/8" PHIL. FHSMS, S.S.	1
7	K 26 04 01 285	TOP HATCH BOARD, TEAK	1
8	K 26 04 03 285	MIDDLE HATCH BOARD, TEAK	1
9	K 26 04 05 285	BOTTOM HATCH BOARD, TEAK	1
	K 26 04 00 285	HATCH BOARDS, COMPLETE SET	1
10	K 26 03 35 285	STARBOARD, EXTERIOR COMPANIONWAY TRIM, TEAK	1
11	K 26 03 37 285	PORT, EXTERIOR COMPANIONWAY TRIM, TEAK	1
	K 26 03 35-37F	FASTENER KIT: (5) #10x2" SLOT. OHSMS, S.S.	2
12	K 26 03 45 285	PORT, RAILWOOD, TEAK	1
	K 26 03 43 285	STARBOARD RAILWOOD, TEAK	1
	K 26 03 43-45F	FASTENER KIT: (9) #10x1 1/2" SLOT. OHSMS, S.S.	2
13	K 26 03 47 285	STARBOARD CABIN TRIM, TEAK	1
14	K 26 03 49 285	PORT CABIN TRIM, TEAK	1
	K 26 03 47-49F	FASTENER KIT: (4) #10x1" SLOT. OHSMS, S.S.	2

Catalina 30
Yachts

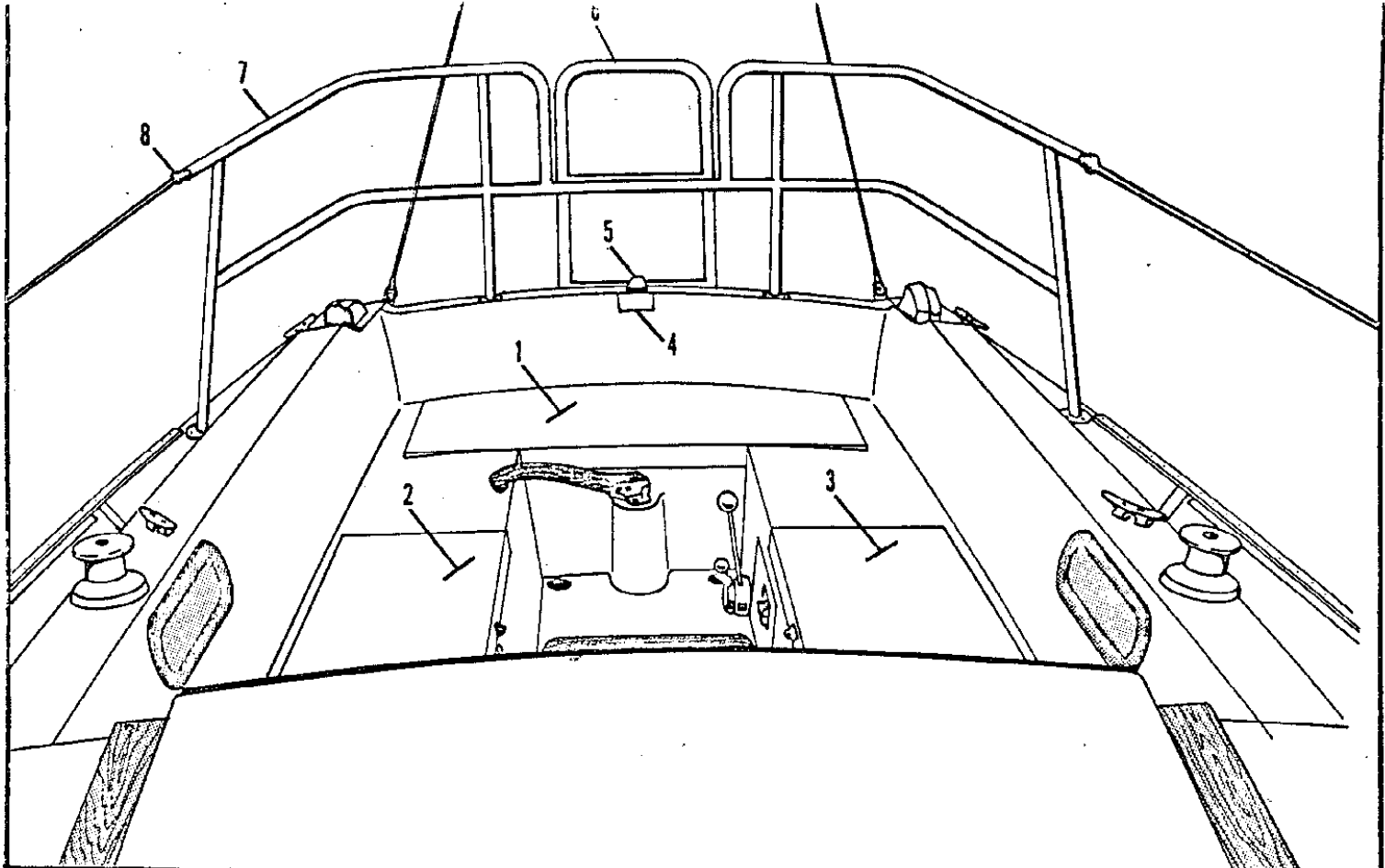
**PARTS
CATALOGUE**

MIDSHIP
MAIN HATCH ASSEMBLY

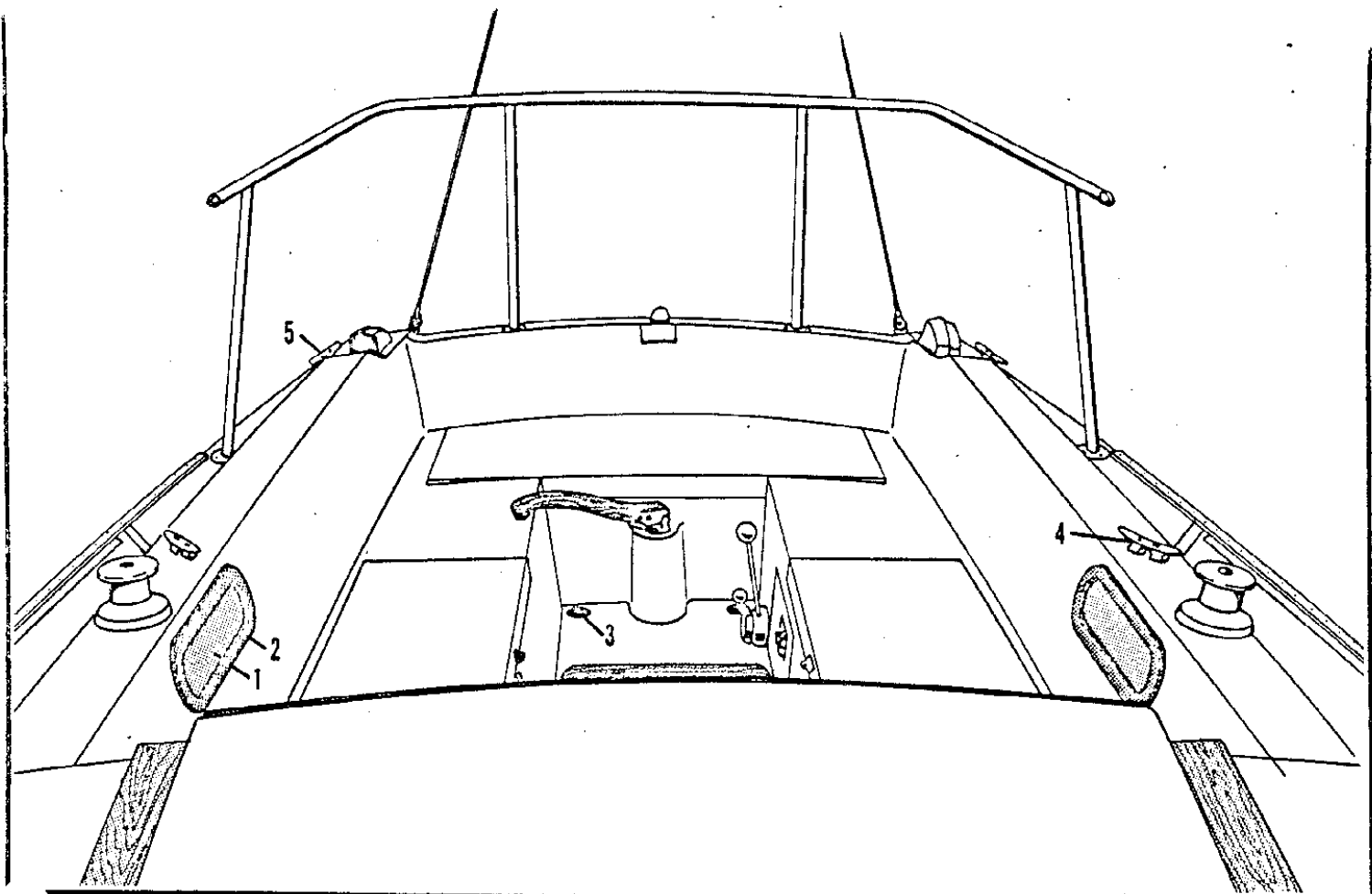
9



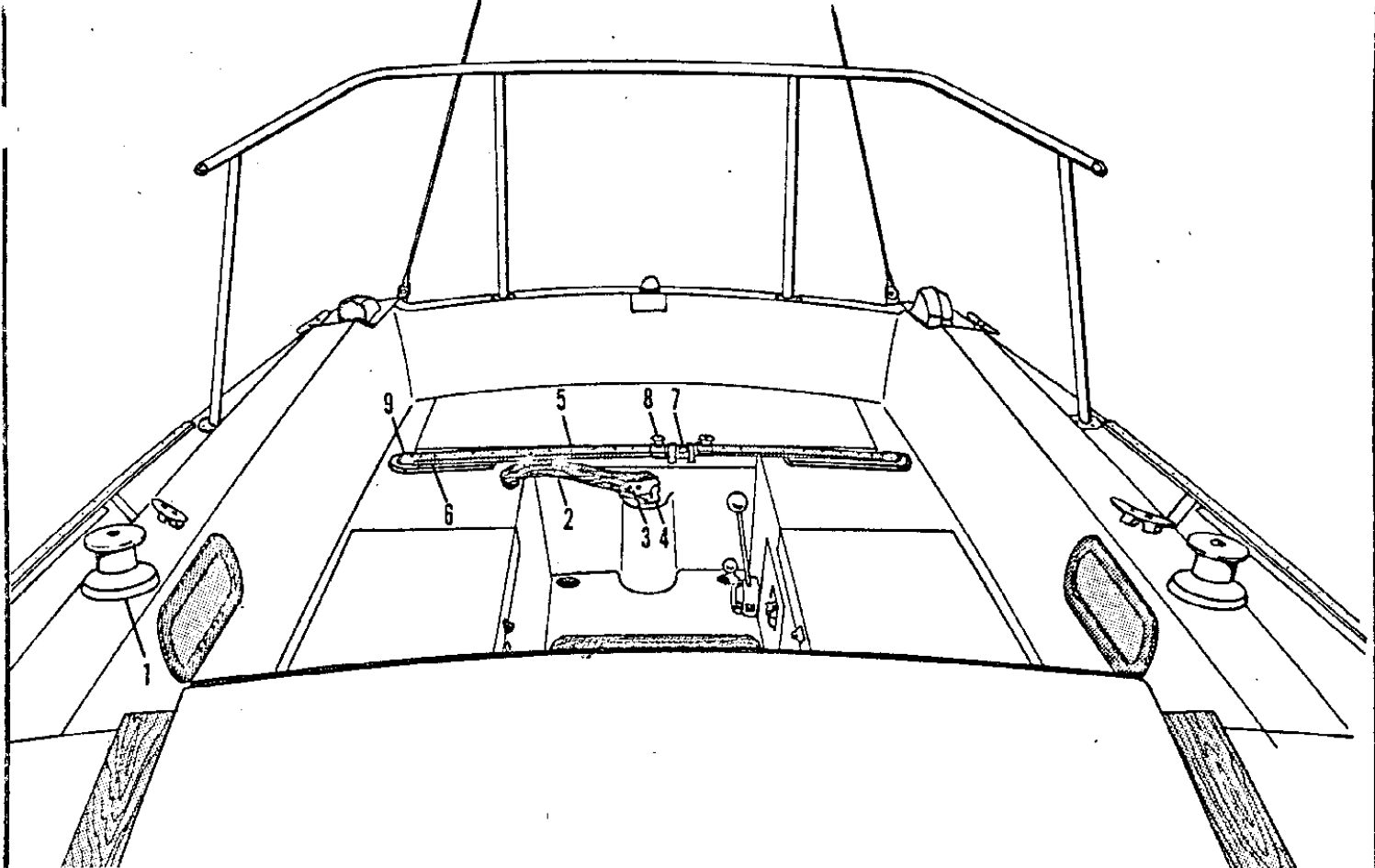
F.	PART NUMBER	DESCRIPTION	STD./OPT.
1	K 33 13 01 530	MIDSHIP TRAVELER TRACK, 6'-0"	1
2	K 33 13 03 285	STARBOARD HORSE BLOCK, TEAK	1
3	K 33 13 05 285	PORT HORSE BLOCK, TEAK	1
	K 33 13 01-05F	FASTENER KIT: (6) 1/4"-20x8" FHMB, S.S. (6) 1/4" FLAT, LOCK WASHERS, S.S. (6) 1/4"-20 HEX NUT, HEX CAP NUT, S.S.	1
4	K 33 13 07 530	END STOP, BLACK RUBBER	2
	K 33 13 09 530	END STOP PIN, S.S.	2
5	K 33 13 11 530	ROLLER TRAVELER CAR W/SHACKLE	1
6	K 33 13 13 530	ADJUSTABLE STOP	2
7	K 33 13 19 725	SINGLE CHEEK BLOCK	2
	K 33 13 19F	FASTENER KIT: (3) #10-24x3 1/2" SLOT. FHMB, S.S. (3) #10 FINISH WASHER, S.S. (3) #10 FLAT, LOCK WASHER, S.S. (3) #10-24 HEX NUT, HEX CAP NUT, S.S.	
8	K 33 13 21 478	MIDSHIP TRAVELER WINCH	1
	K 33 13 21F	FASTENER KIT: (4) 1/4"-20x2 1/4" SLOT. FHMS, S.S. (4) 1/4" FLAT, LOCK WASHER, S.S. (4) 1/4"-20 HEX NUT, HEX CAP NUT, S.S.	1
9	K 33 13 25 255	MIDSHIP TRAVELER CAM CLEAT, S.S.	1
10	K 33 13 27 285	TEAK PAD	1
	K 33 13 25-27F	FASTENER KIT: (2) #10-24x3 1/2" SLOT. FHMB, S.S. (2) #10 FINISH WASHER, S.S. (2) #10 FLAT, LOCK WASHER, S.S. (2) #10-24 HEX NUT, HEX CAP NUT, S.S.	1
	K 33 13 00 100	MIDSHIP TRAVELER, COMPLETE ASSEMBLY W/BOOM BALES AND BLOCKS	1
11	K 25 04 00 047	LOGO "CATALINA 30" W/ADHESIVE BACK	2



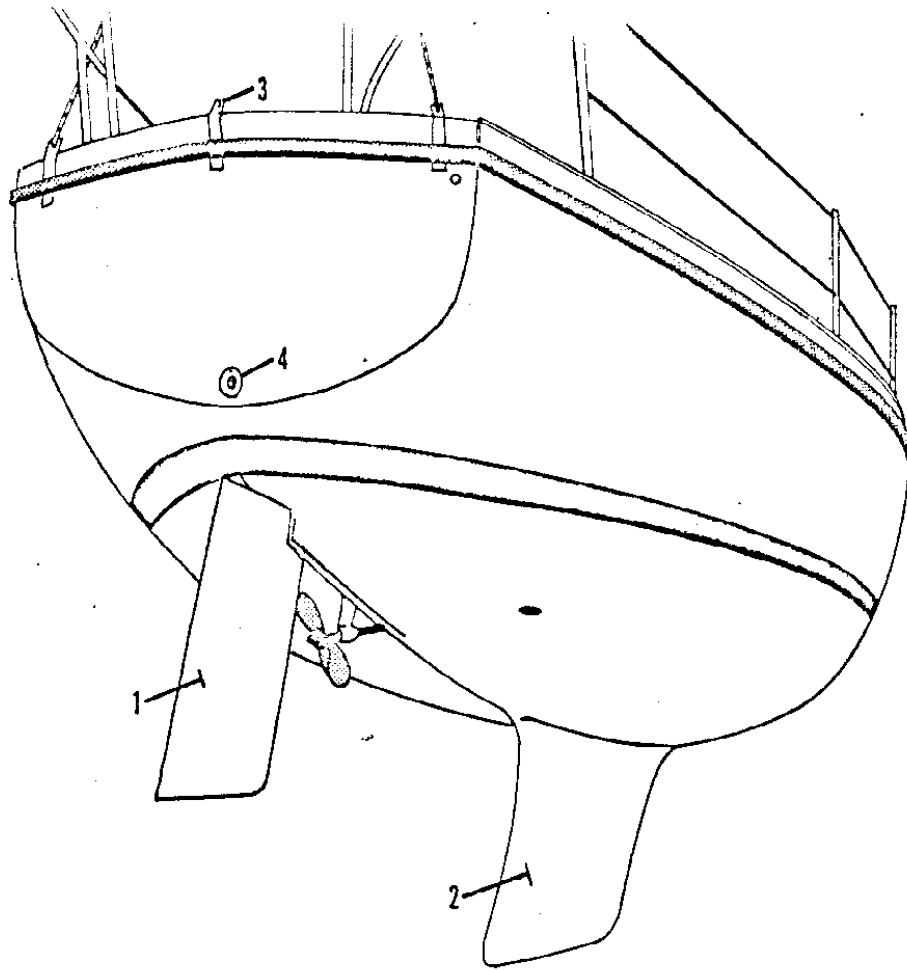
REF.	PART NUMBER	DESCRIPTION	STD./OPT
1	K 26 11 01 100	LAZARETTE HATCH COVER, FIBERGLASS	1
	K 26 11 03 049	HINGE	2
	K 26 11 03F	FASTENER KIT: (4) #6-32x5/8" SLOT. FHMS, S.S.	2
		(4) #6 FLAT WASHER, S.S.	
		(4) #6 LOCK WASHER, S.S.	
		(4) #6-32 HEX NUT, S.S.	
	K 26 11 05 920	GASKET TAPE, 1/4"x3/4"x9"-6"	1
2	K 26 10 01 100	STARBOARD SEAT HATCH COVER, FIBERGLASS	1
3	K 26 10 03 100	PORT SEAT HATCH COVER, FIBERGLASS	1
	K 26 10 05 049	HINGE	4
	K 26 10 05F	FASTENER KIT: (4) #6-32x5/8" SLOT. FHMS, S.S.	4
		(4) #6 FLAT WASHER, S.S.	
		(4) #6 LOCK WASHER, S.S.	
		(4) #6-32 HEX NUT, S.S.	
	K 26 10 07 920	GASKET TAPE, 1/4"x3/4"x90"	2
	K 26 10 09 497	HASP AND EYE, CHROME PLATED	2
	K 26 10 09F	FASTENER KIT: (8) #6x3/8" PHIL. OHSMS, S.S.	2
4	K 25 02 00 737	HULL IDENTIFICATION PLATE	1
	K 25 02 00F	FASTENER KIT: (2) #8x3/4" PHIL. PHSMS, S.S.	1
5	K 75 03 01 497	WHITE, 12 POINT STERN LIGHT, FASTENERS INCLUDED	1
6	K 28 03 07 610	STERN BOARDING LADDER 4 STEP, S.S.	
7	K 28 05 07 610	DOUBLE RAIL, DOUBLE LIFELINE STERN PULPIT W/GATE	1
	K 28 05 08 900	BACK UP PLATE, BONDED TO COAMING	2
	K 28 05 07-08F	FASTENER KIT: (4) 1/4"-20x1" SLOT. RHMS, S.S.	2
		(6) 1/4"-20x2 1/4" SLOT. RHMS, S.S.	
		(6) 1/4" FLAT LOCK WASHER, S.S.	
		(6) 1/4"-20 HEX NUT, S.S.	
8	K 28 03 15 500	LIFELINE PELICAN HOOK	2



QTY.	PART NUMBER	DESCRIPTION	STD./OPT.
	K 25 01 00 100	COCKPIT COAMING COMPARTMENT ASSEMBLY, COMPLETE	2
1	K 25 01 01 100	COAMING COMPARTMENT LINER, FIBERGLASS	2
2	K 25 01 03 285	TEAK RING	2
	K 25 01 03F	FASTENER KIT: (4) #6x5/8" SLOT. OHSMS, S.S.	2
3	K 61 01 01 282	COCKPIT SCUPPER SCREEN, 1 3/4" O.D. S.S.	2
	K 61 01 03 900	1 1/2" 45 ELBOW, BONDED IN PLACE	4
	K 61 01 07 035	1 5/8"x1'-9" WIRE REINFORCED HOSE	2
	K 61 01 09 519	#28 HOSE CLAMP, S.S.	4
	K 60 01 00 100	BILGE PUMP ASSEMBLY, COMPLETE	1
	K 60 01 01 723	BILGE PUMP W/HANDLE	1
	K 60 01 01F	FASTENER KIT: (6) 1/4"-20x2" SLOT. FHMS, S.S.	1
		(2) #14 FINISH WASHER, S.S.	
		(6) 1/4" FLAT, LOCK WASHER, S.S.	
		(6) 1/4"-20 HEX NUT, S.S.	
	K 60 01 03 335	1 1/2" I.D.x23'-0" WIRE REINFORCED HOSE	1
	K 60 01 05 519	#20 HOSE CLAMP, S.S.	3
	K 60 01 10 295	TIE DOWN STRAP, WHITE PLASTIC	3
	K 60 01 10F	FASTENER KIT: (1) #8x3/4" PHIL. PHSMS, S.S.	3
4	K 24 01 01 760	6" SHEET JAM CLEAT	2
	K 24 01 01F	FASTENER KIT: (2) 1/4"-20x2" SLOT. FHMS, S.S.	2
		(2) 1/4" FLAT, LOCK WASHER, S.S.	
		(2) 1/4"-20 HEX NUT, S.S.	
	K 43 01 74 285	SAIL LOCKER AFT BULKHEAD	1
	K 43 01 74F	FASTENER KIT: (5) #10x1 1/4" SLOT. OHSMS, S.S.	1
		(5) #10 FINISH WASHER, S.S.	
5	K 24 09 00 760	6" MOORING CLEAT, FOR STERN LINES	2
	K 24 09 00F	FASTENER KIT: (2) 5/16"-18x3 1/2" SLOT. FHMS, S.S.	2
		(2) 5/16" FLAT, LOCK, HEX NUT, S.S.	



REF.	PART NUMBER	DESCRIPTION	STD./OPT.
1	K 24 02 01 478	#1, 2 SPEED JIB SHEET WINCH	2
	K 24 03 00 478	#2, 2 SPEED JIB SHEET WINCH	2
	K 24 03 00F	FASTENER KIT: (4) 1/4"-20x2" SLOT. FHMS, S.S. (4) 1/4" FLAT, LOCK WASHER, S.S. (4) 1/4"-20 HEX NUT, S.S.	2 2
	K 32 04 00 478	WINCH HANDLE, FOR JIB SHEET WINCHES	1
	K 27 06 00 100	TILLER ASSEMBLY, COMPLETE	1
2	K 27 06 01 285	LAMINATED TILLER	1
3	K 27 06 03 160	TILLER STRAPS, CHROMED BRONZE	1
	K 27 06 03F	FASTENER KIT: (3) 3/8"-16x3 1/4" HHMB, S.S. (3) 3/8"-16 HEX NUT, S.S.	1
4	K 27 06 07 160	TILLER HEAD, CHROMED BRONZE	1
	K 27 06 07F	FASTENER KIT (1) 3/8"-16x3 1/4" HHMB, S.S. (1) 3/8"-16 HEX NUT, S.S. (1) 5/16"-18x1 1/2" HHMB, S.S.	1
	K 27 07 00 100	TILLER COVER, SPECIFY COLOR	1
	K 27 08 05 900	RUDDER WASHER, WHITE NYLON	2
	K 27 08 09 100	RUDDER TUBE, FIBERGLASS	1
	K 23 03 00 100	AFT TRAVELER ASSEMBLY, COMPLETE	1
5	K 23 03 01 715	AFT TRAVELER TRACK, 4'-0", ANODIZED ALUMINUM	1
6	K 23 03 02 285	TEAK BACKING	2
	K 23 03 03 900	BACK UP PLATE, 1/8"x1 1/4"x9 1/2", S.S.	2
	K 23 03 01-03F	FASTENER KIT: (6) 1/4"-20 x 3" SLOT. FHMS, S.S. (6) 1/4" FLAT, LOCK, HEX NUT, S.S.	1
	K 23 03 09 715	ROLLER TRAVELER CAR W/SHACKLE	1
	K 23 03 15 715	ADJUSTABLE STOP	2
	K 23 03 17 715	END STOP, BLACK RUBBER	2
	K 23 03 19 715	END STOP PIN, S.S.	2



REF.	PART NUMBER	DESCRIPTION	STD./OPT
1	K 27 08 01 100	RUDDER W/RUDDER POST	1
2	K 27 01 00 006	LEAD KEEL W/KEEL BOLTS, 4, 200 POUNDS	1
	K 27 02 00 006	SHOAL DRAFT KEEL W/KEEL BOLTS, 4,650 POUNDS	1
	K 27 02 00F	FASTENER KIT: (8) 3/4"-10 HEX NUT, S.S. (8) 3/4" FINISH WASHER, S.S.	1 1
3	K 22 12 01 900	BACKSTAY TANG, S.S.	2 1
	K 22 12 03 900	BACK UP PLATE, 1/8"x1 1/2"x3", S.S.	2 1
	K 22 12 01-03F	FASTENER KIT: (2) 5/16"-18x2" SLOT. FHMS, S.S. (2) 5/16" FLAT WASHER, S.S. (2) 5/16" LOCK WASHER, S.S. (2) 5/16"-18 HEX NUT, S.S.	2 1
4	K 60 01 19 140	1 1/2" I.D. THRU HULL W/COLLAR, WHITE NYLON, FOR BILGE PUMP	1